

## ASSEMBLY INSTRUCTIONS

# MERCEDES SPRINTER 144" CARGO- LOW ROOF HIGH ROOF

This document presents the detailed procedures for assembling Legend Fleet components and accessories.

Customers can make use these step-by-step procedures and easily assemble without major difficulty.



# LEGEND

---

## FLEET SOLUTIONS

---

519 688 1043  
[customercare@legendfleet.com](mailto:customercare@legendfleet.com)

56957 HWY 3 WEST,  
TILLSONBURG,  
ON N4G 4G8.

# Table of Contents

Wheel Well Cover..... 3

Floor..... 4

Floor Sills ..... 8

Wall Liners - 144" WB- **Low Roof** ..... 10

Wall Liners - 144" WB- **High Roof** ..... 13

Ceiling Liners - 144" WB- **Low Roof** ..... 16

Ceiling Liners - 144" WB- **High Roof**..... 20

Top Sills - 144" WB- **Low Roof**..... 24

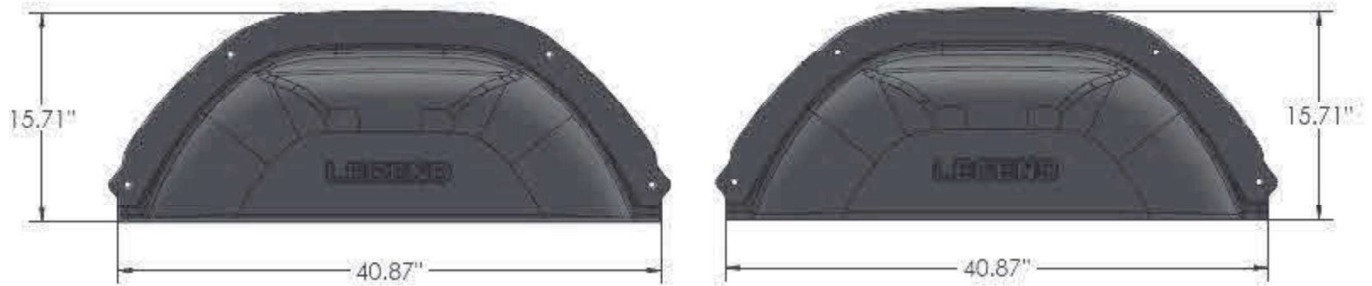
Top Sills - 144" WB- **High Roof** ..... 28

Door Liners - 144" WB- **Low Roof** ..... 32

Door Liners - 144" WB- **High Roof** ..... 34

# Wheel Well Cover

## Parts and Hardware



DRIVER SIDE'S WHEEL WELL COVER

PASSENGER SIDE'S WHEEL WELL COVER

8 X

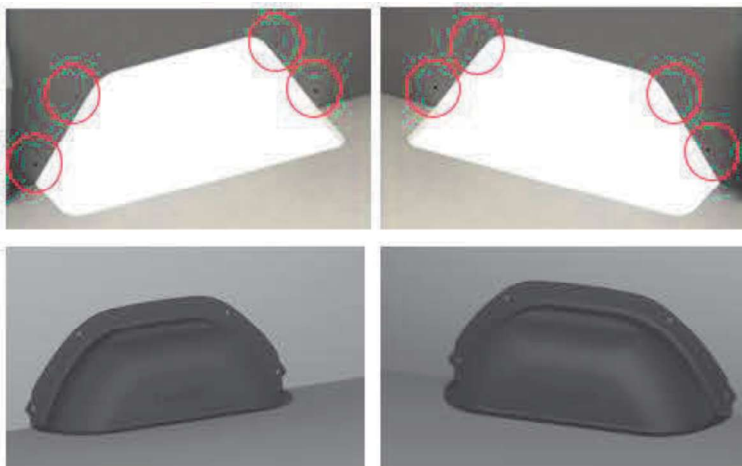


PUSH-IN RIVET

## Assembly Instructions

**Floor and Wall liner must be installed after the installation of Wheel well covers**

**Step 1:** Place the **Driver side** and **Passenger side** wheel well covers in the vehicle, as shown below.



"positioning of Passenger side WWC"

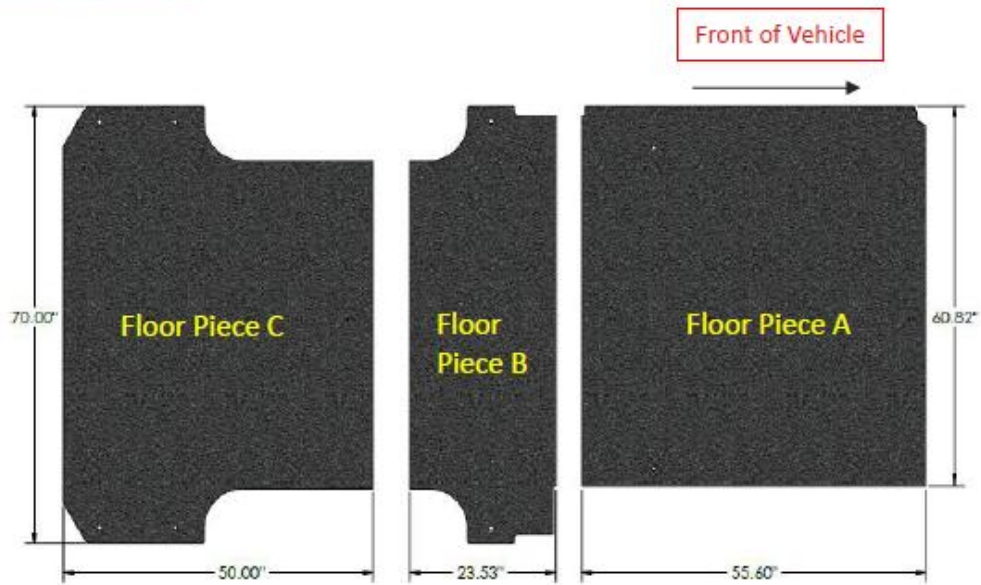
"positioning of Driver side WWC"

8 X



# Floor

## Parts and Hardware



1 X



FRONT RAIL JOINT (59.35")

1X



REAR RAIL JOINT (52.42")

8 X



M8 BOLT

8 X



M8 FLAT WASHER

1 X



GLUE

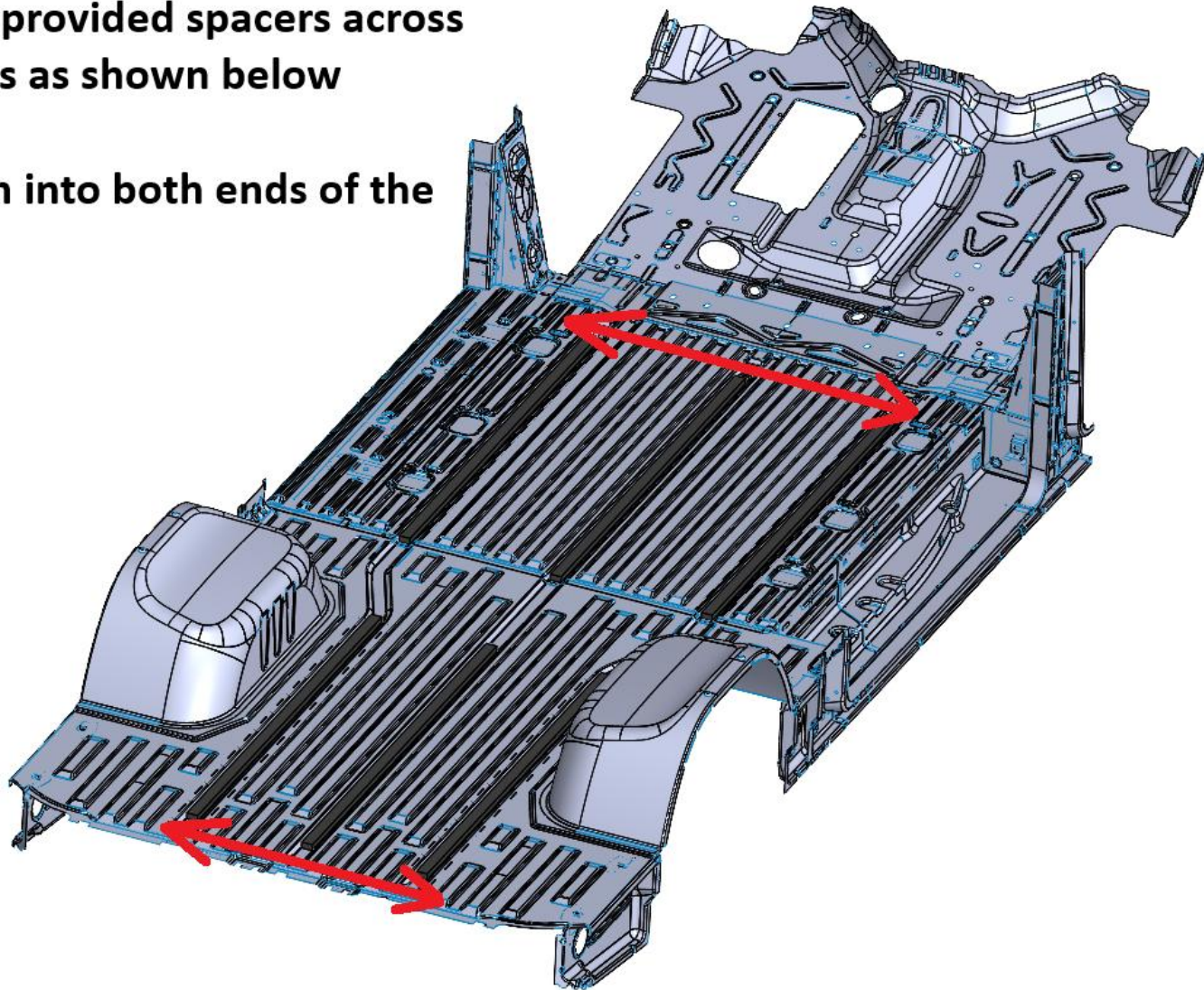
6 X



Spacers

**Install the provided spacers across the cavities as shown below**

**Place them into both ends of the cavities**



## Assembly instructions

**Remove the following items before floor installation:**

1. OEM Plastic Trim
2. D-Rings
3. Tie-Downs
4. Other installed parts

**Apply a thin line of glue in both the grooves of the Rail Joints, that is supplied with Legend's floor.**

**Step 1:** Install Floor Piece A, as shown below.

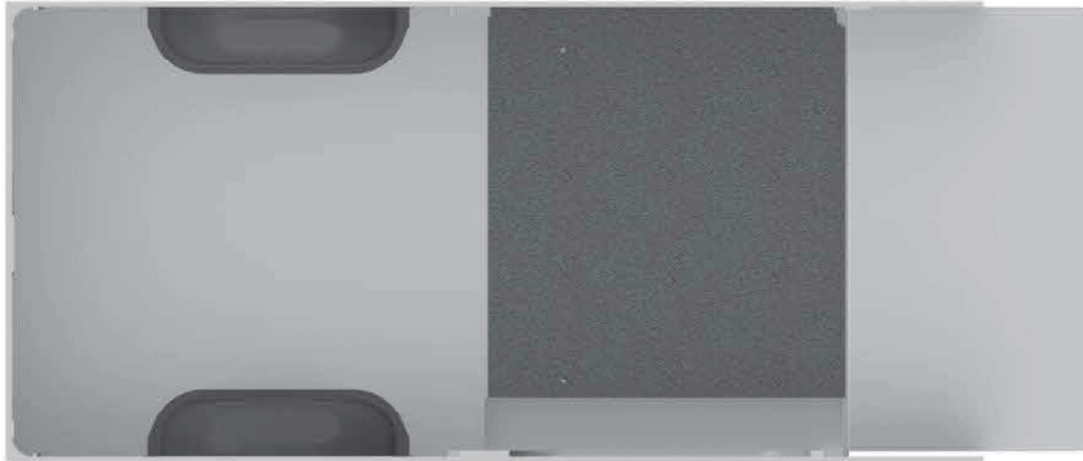
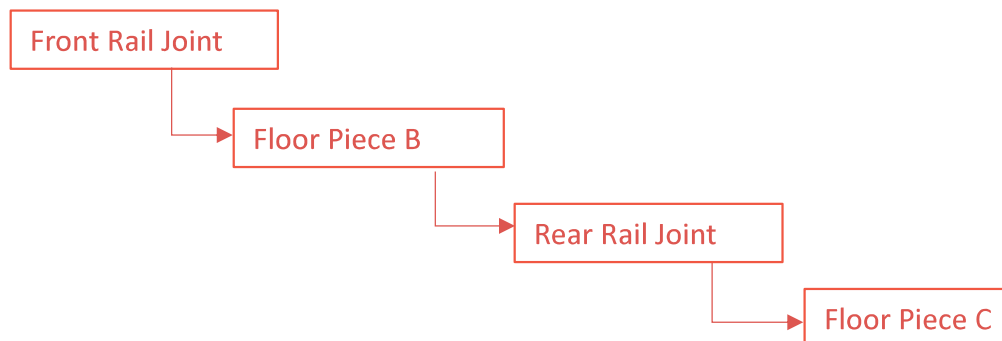


Figure 1

**Step 2:** Install the Parts in the following order after installing Floor Piece A. as shown below.



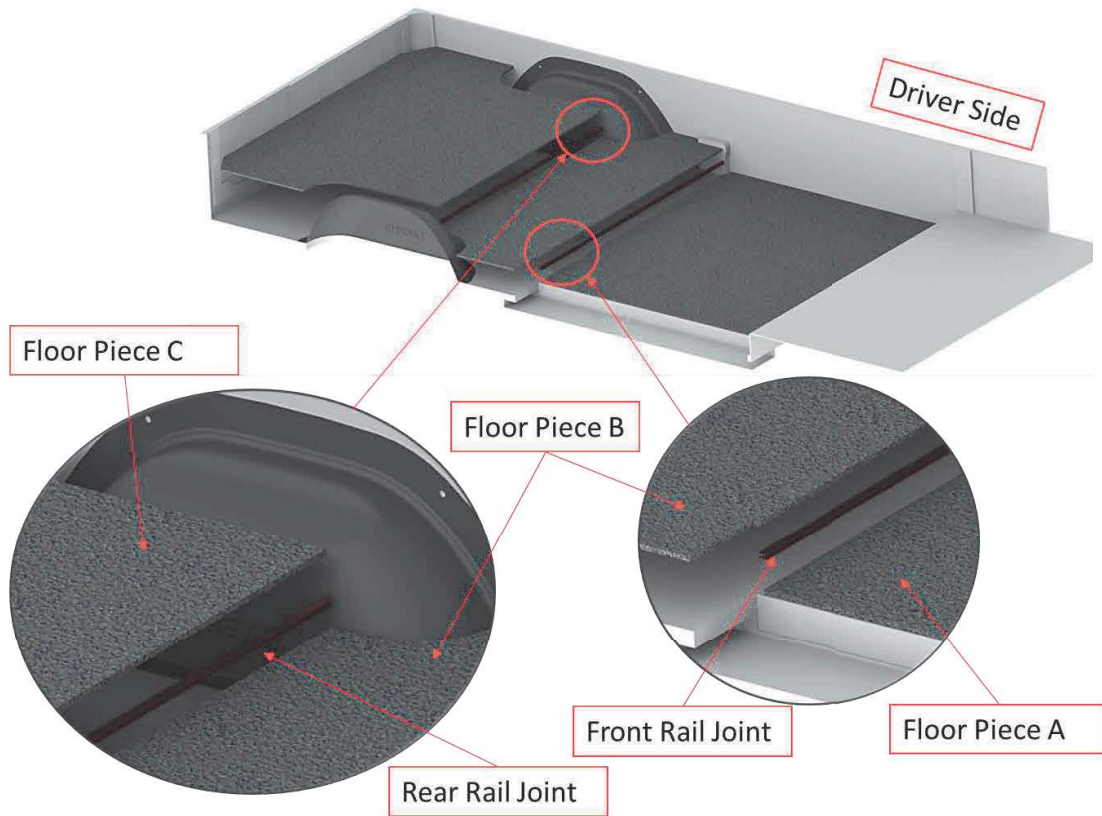


Figure 2

**Step 3:** Replace the OEM bolt in each D-Ring with combination of M8 Bolt and a flat washer as shown below.

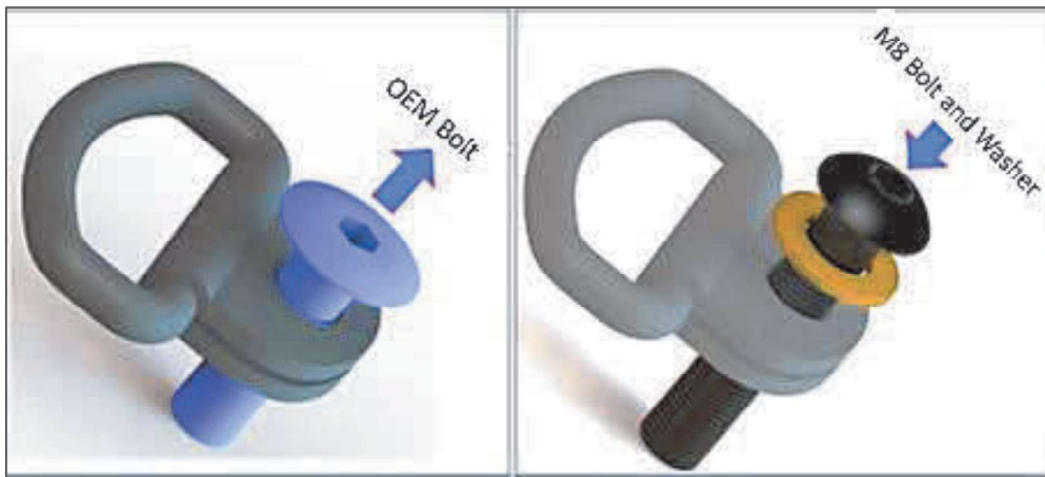
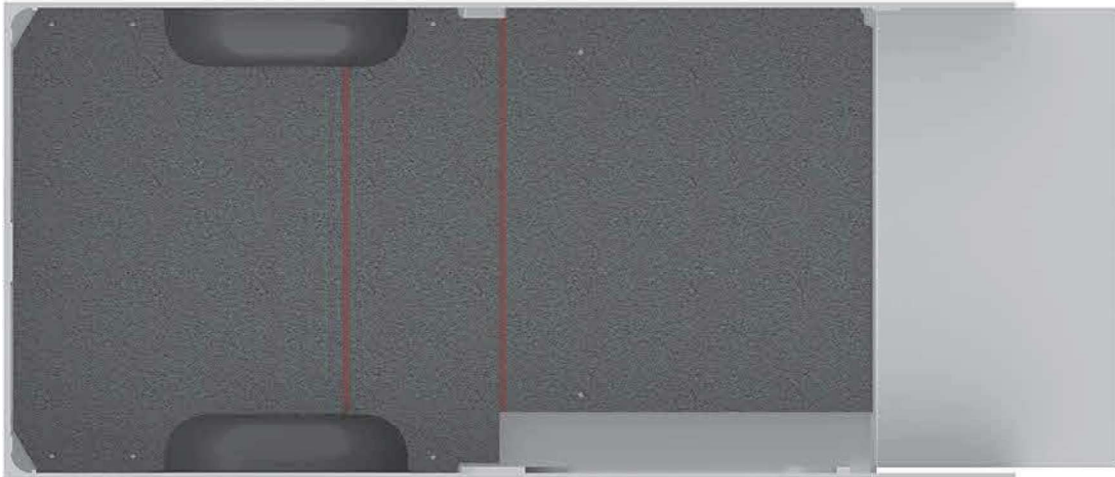


Figure 3

**Step 4:** Re-install these modified D-Rings in the vehicle, thus completing the installation of Legend Floor.



*Figure 4*

*"Floor Installed" This view is from Inside of Van-Viewing from Top*

# Floor Sills

## Parts and Hardware



## Assembly Instructions

**Step 1:** Position the Side Sill on Legend’s Floor. Place the Pan Head Screws (3 Nos) to the Floor as shown below

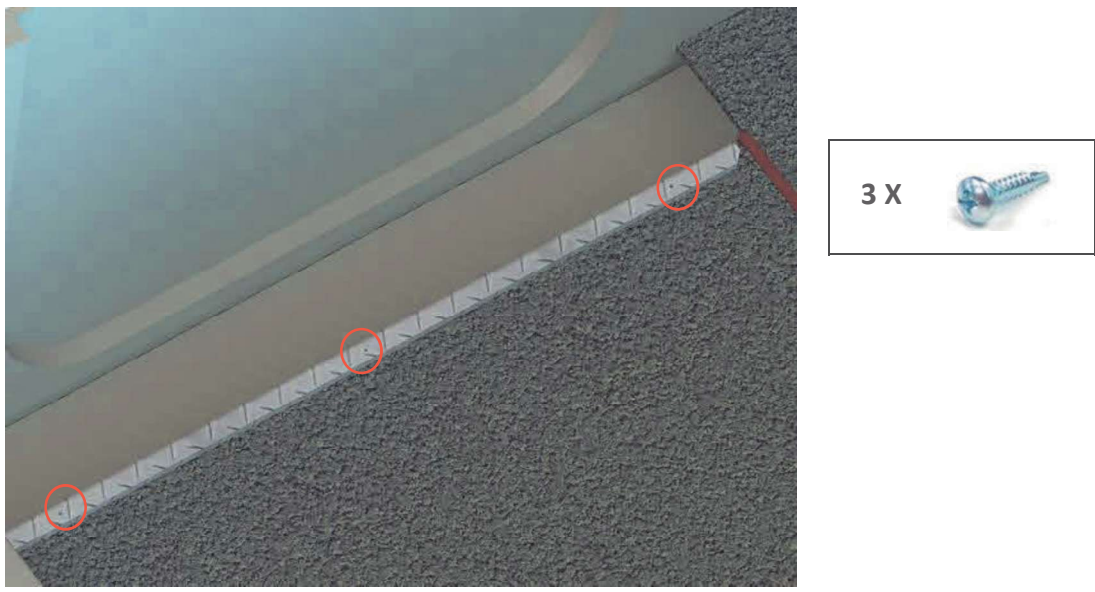


Figure 5  
 “Positioning and Fixing of the Side Sill”

**Step 2:** Position the Rear Sill on Legend's Floor.

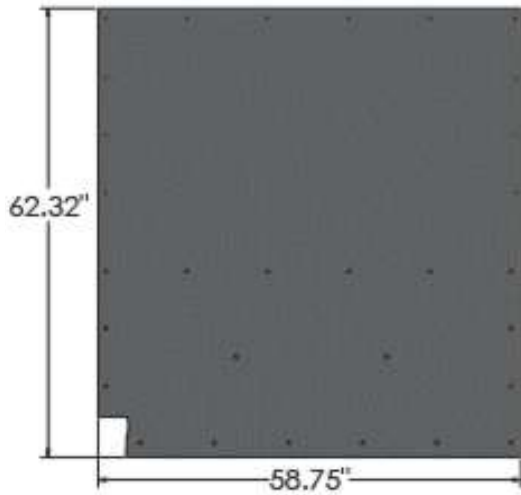


Figure 6

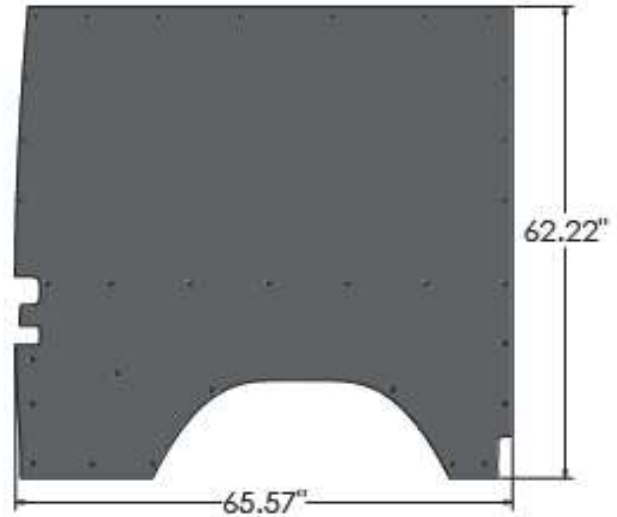
*"Positioning and Fixing of the Rear Sill"*

# Wall Liners - 144" WB- Low Roof

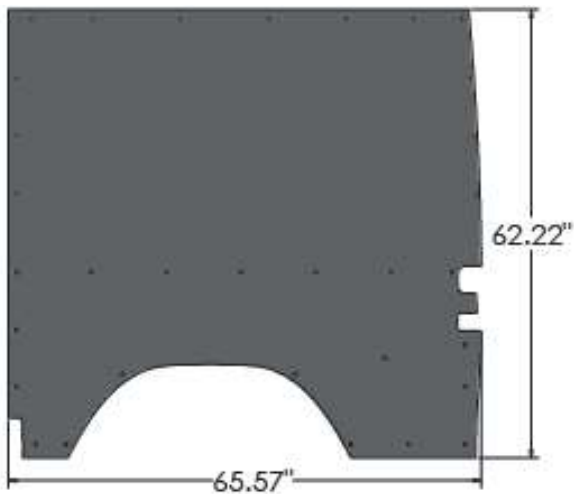
## Parts and Hardware



DRIVER SIDE FRONT WALL LINER (D1A)



DRIVER SIDE REAR WALL LINER (D2A)



PASSENGER SIDE FRONT WALL LINER (P1A)

52 X



PUSH-IN RIVET

37 X



SELF-DRILLING SCREW


37 X




SCREW CAP

## Assembly Instructions

**If Legend's Wheel Well Covers are used, the Wall Liner will lay over the Top Flange of Wheel Well Cover.**

Hole Diameter ( $\varnothing$ ) = 0.40" = 

Hole Diameter ( $\varnothing$ ) = 0.20" = 

**Step 1:** Bring the (D1A) Liner into the vehicle and align the holes on the panel with the ones present on the vehicle's body.

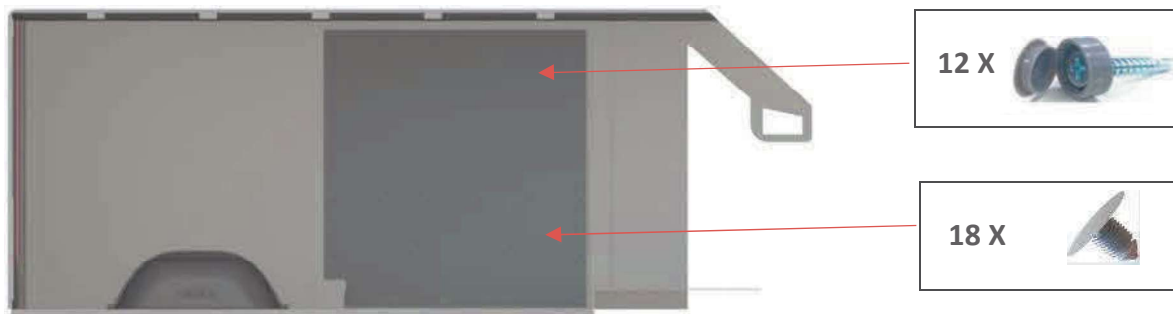


Figure 7

**Step 2:** Bring the (D2A) Liner into the vehicle and align the holes on the panel with the ones present on the vehicle's body.

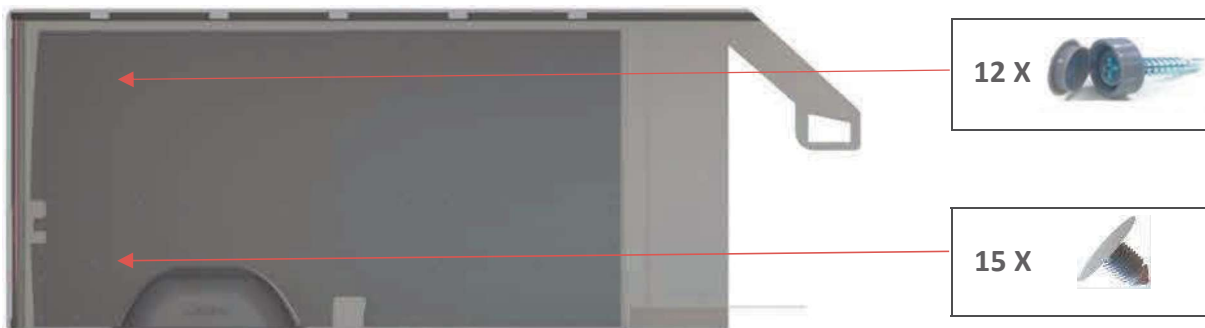


Figure 8

*"Driver Side Front & Rear Wall Liner Installed" This is view from Inside of the Van- Viewing from Passenger Side*

**Step 3:** Bring the (P1A) Liner into the vehicle and align the holes on the panel with the ones present on the vehicle's body.

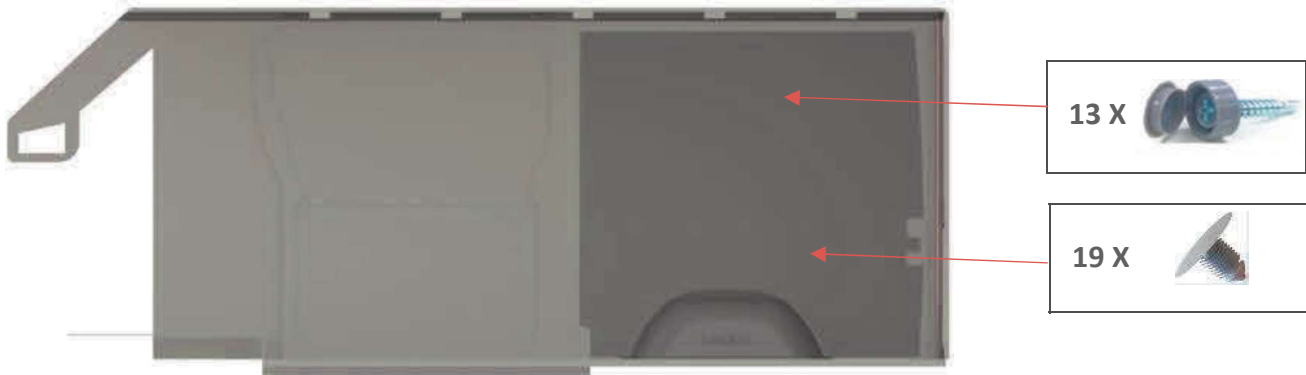
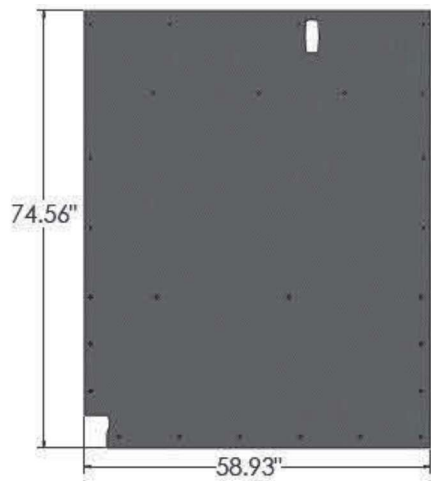


Figure 9

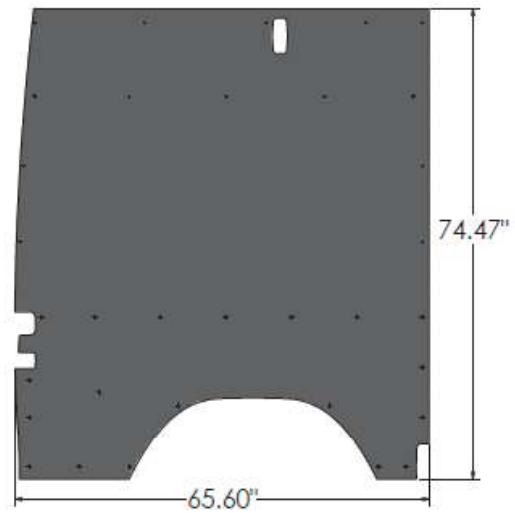
*"Passenger Side Wall Liner Installed" This is view from Inside of the Van- Viewing from Driver Side*

# Wall Liners - 144" WB- High Roof

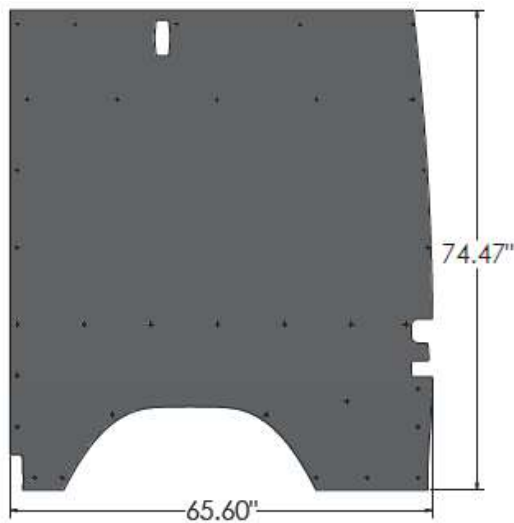
## Parts and Hardware



DRIVER SIDE FRONT WALL LINER (D1A)



DRIVER SIDE REAR WALL LINER (D2A)



PASSENGER SIDE FRONT WALL LINER (P1A)

58 X



PUSH-IN RIVET

36 X



SELF-DRILLING SCREW


36 X




SCREW CAP

## Assembly Instructions

**If Legend's Wheel Well Covers are used, the Wall Liner will lay over the Top Flange of Wheel Well Cover.**

Hole Diameter ( $\varnothing$ ) = 0.40" = 

Hole Diameter ( $\varnothing$ ) = 0.20" = 

**Step 1:** Bring the (D1A) Liner into the vehicle and align the holes on the panel with the ones present on the vehicle's body.

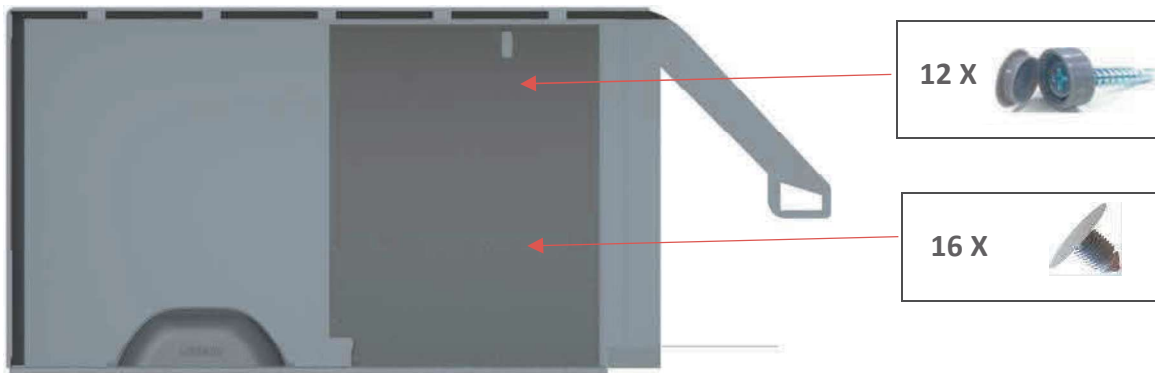


Figure 10

**Step 2:** Bring the (D2A) Liner into the vehicle and align the holes on the panel with the ones present on the vehicle's body.

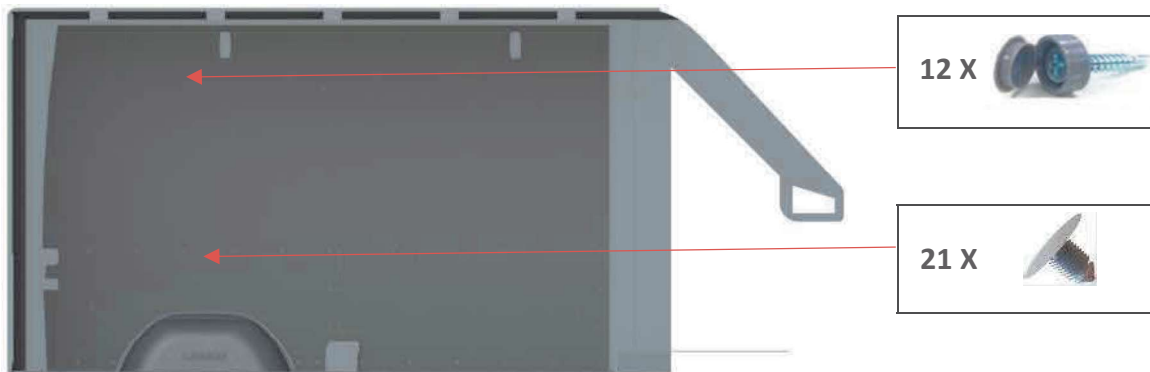


Figure 11

*"Driver Side Front & Rear Wall Liner Installed" This is view from Inside of the Van- Viewing from Passenger Side*

**Step 3:** Bring the (P1A) Liner into the vehicle and align the holes on the panel with the ones present on the vehicle's body.

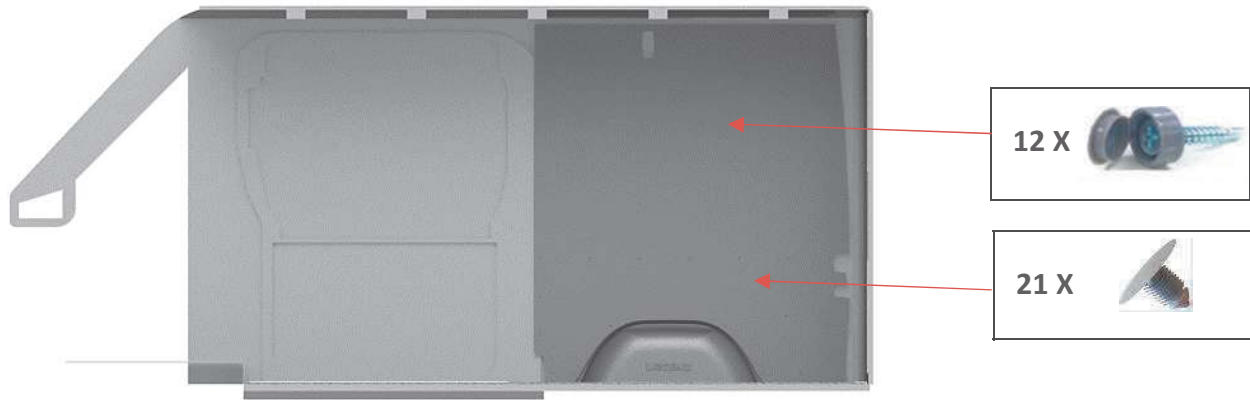
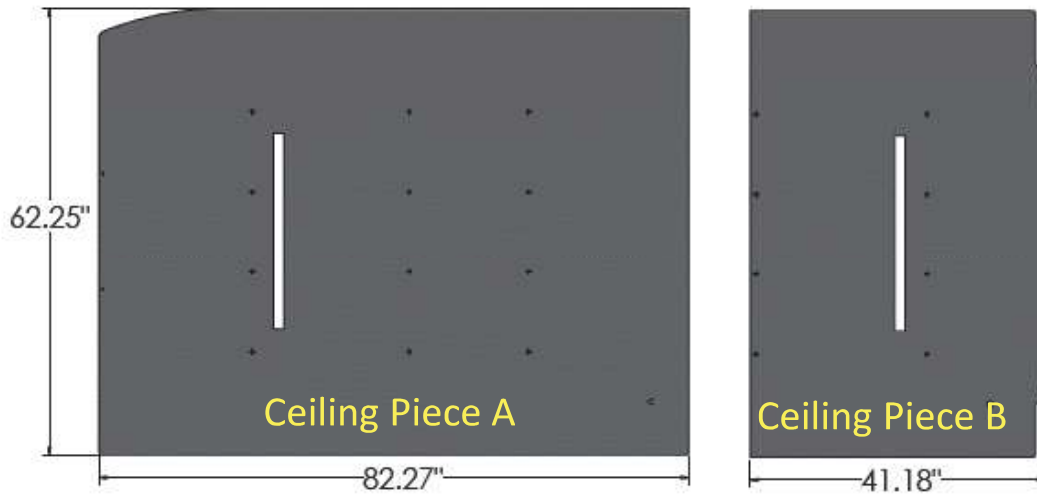


Figure 12

*"Passenger Side Wall Liner Installed" This is view from Inside of the Van- Viewing from Driver Side*

# Ceiling Liners - 144" WB- Low Roof

## Parts and Hardware



CEILING PIECES

1 X



CEILING BRACKET

1 X



CEILING JOINER STRIP (62.25")

2 X



SCREW CAP

2 X



SELF-DRILLING SCREW


20 X




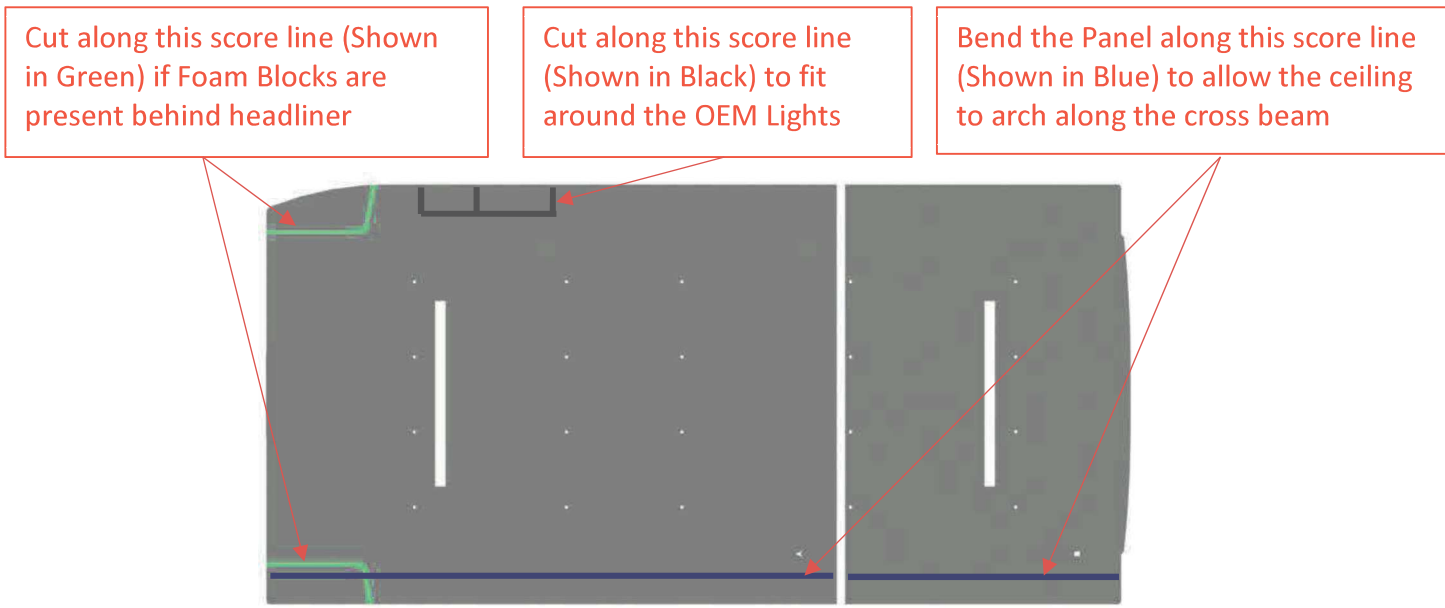
PUSH-IN RIVET

# Assembly Instructions

**Follow the below instructions for score lines on Rear surface of Ceiling Panel**

Hole Diameter ( $\phi$ ) = 0.40" = 

Hole Diameter ( $\phi$ ) = 0.20" = 



**Step 1:** Install Ceiling Bracket to the roof as shown below.

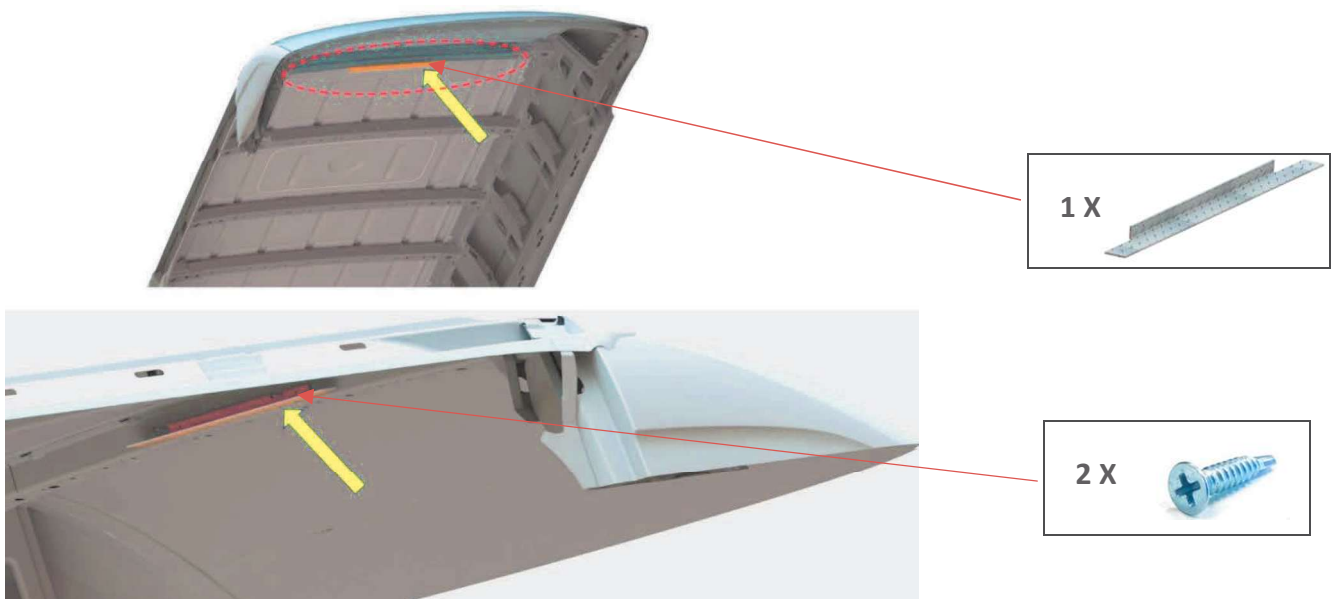


Figure 13

**Step 2:** Install Ceiling Piece A, as shown below.

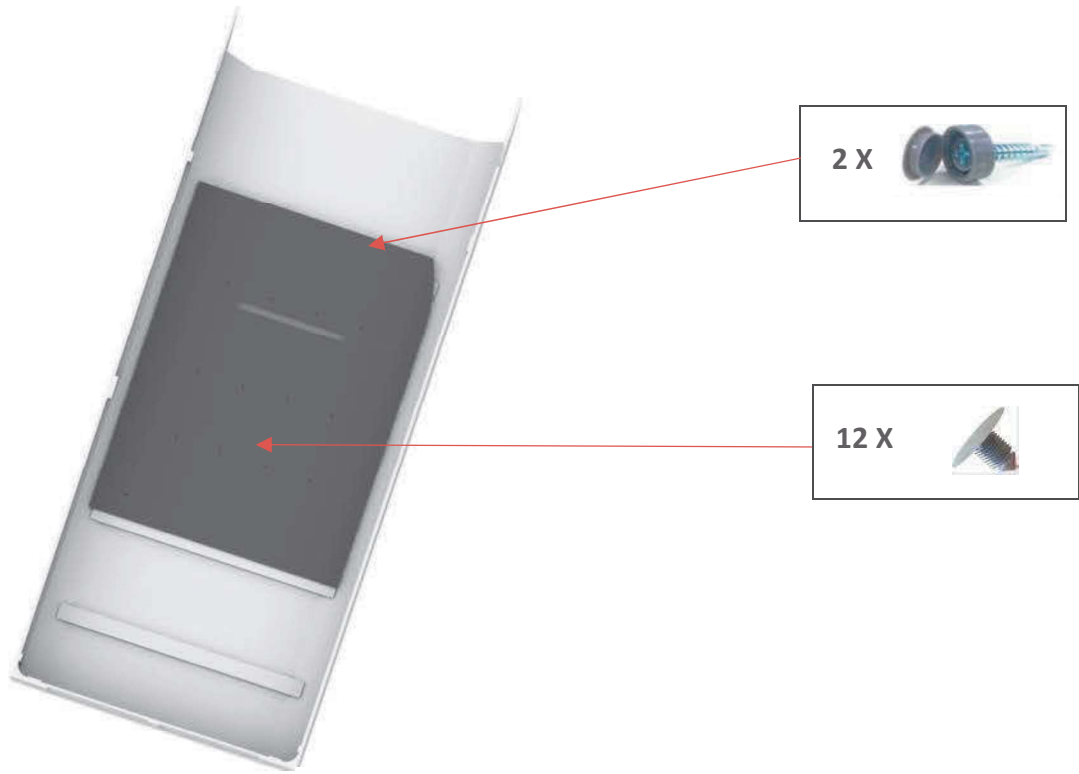


Figure 14

*"Positioning and Fixing of the Ceiling Panel A" This View is from Inside of the Van*

**Step 3:** Install the Ceiling Joiner strip at the edge of the Front Ceiling panel

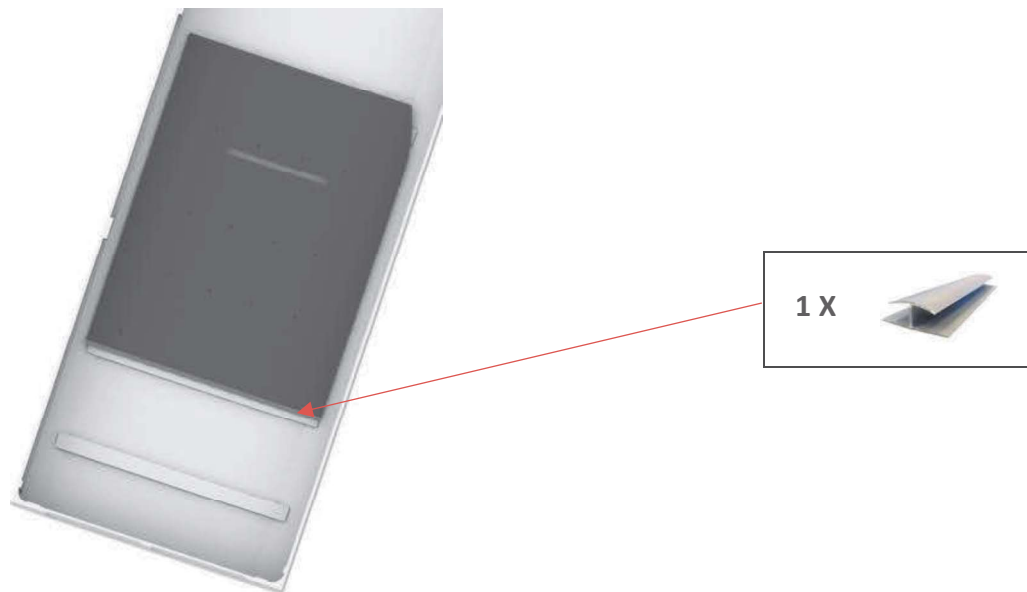


Figure 15

*"Positioning and Fixing of the Ceiling Joiner Strip" This View is from Inside of the Van*

**Step 4:** Install Ceiling Piece B, as shown below. Ceiling liner.

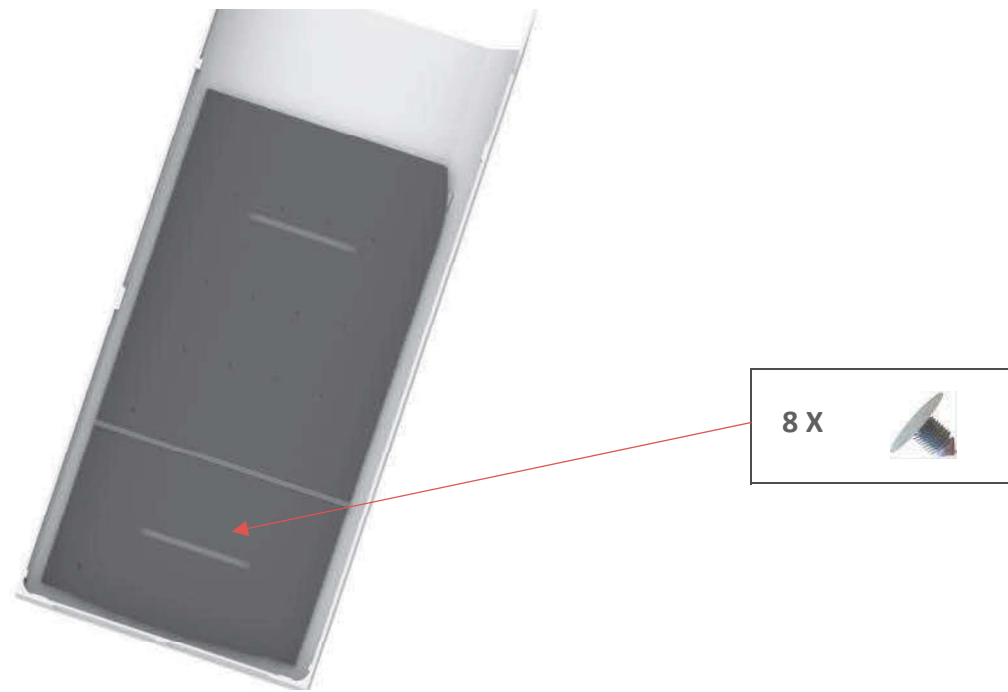


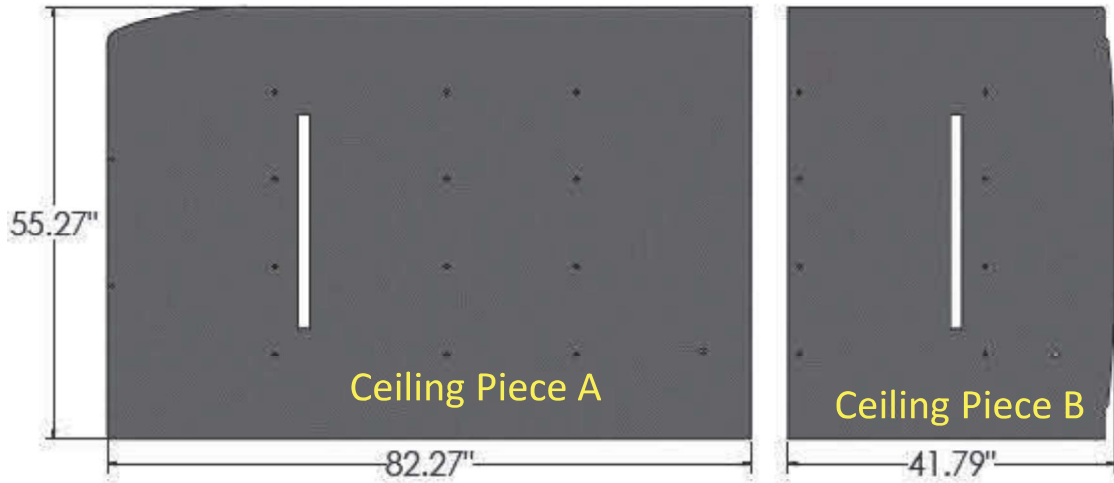
Figure 16

*"Positioning and Fixing of the Ceiling Panel B" This View is from Inside of the Van*

**Step 5:** This completes the installation of your Legend Ceiling Liner.

# Ceiling Liners - 144" WB- High Roof

## Parts and Hardware



CEILING PIECES

1 X



CEILING BRACKET

1 X



CEILING JOINER STRIP (55.25")

2 X



SCREW CAP

2 X



SELF-DRILLING SCREW


20 X




PUSH-IN RIVET

# Assembly Instructions

**Follow the below instructions for score lines on Rear surface of Ceiling Panel**

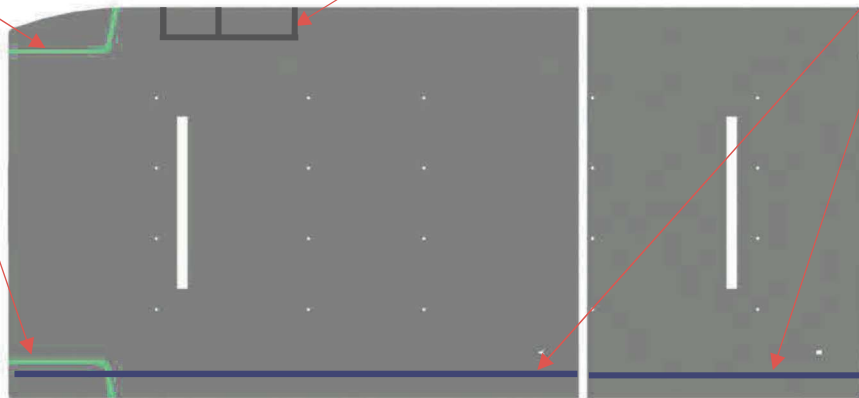
Hole Diameter ( $\phi$ ) = 0.40" = 

Hole Diameter ( $\phi$ ) = 0.20" = 

Cut along this score line (Shown in Green) if Foam Blocks are present behind headliner

Cut along this score line (Shown in Black) to fit around the OEM Lights

Bend the Panel along this score line (Shown in Blue) to allow the ceiling to arch along the cross beam



**Step 1:** Install Ceiling Bracket to the roof as shown below.

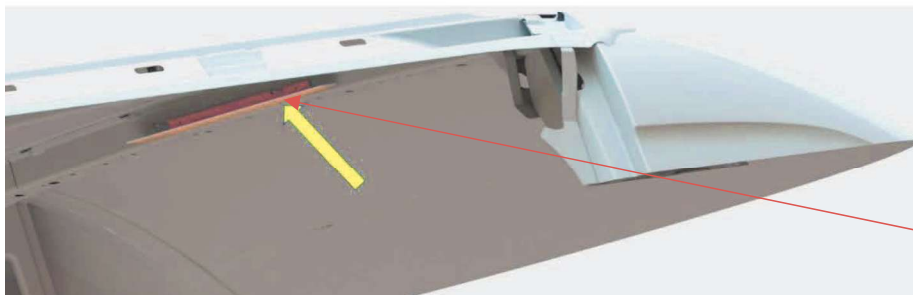
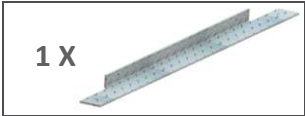
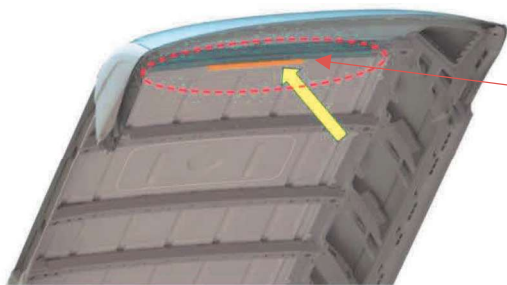


Figure 17

**Step 2:** Install Ceiling Piece A, as shown below.

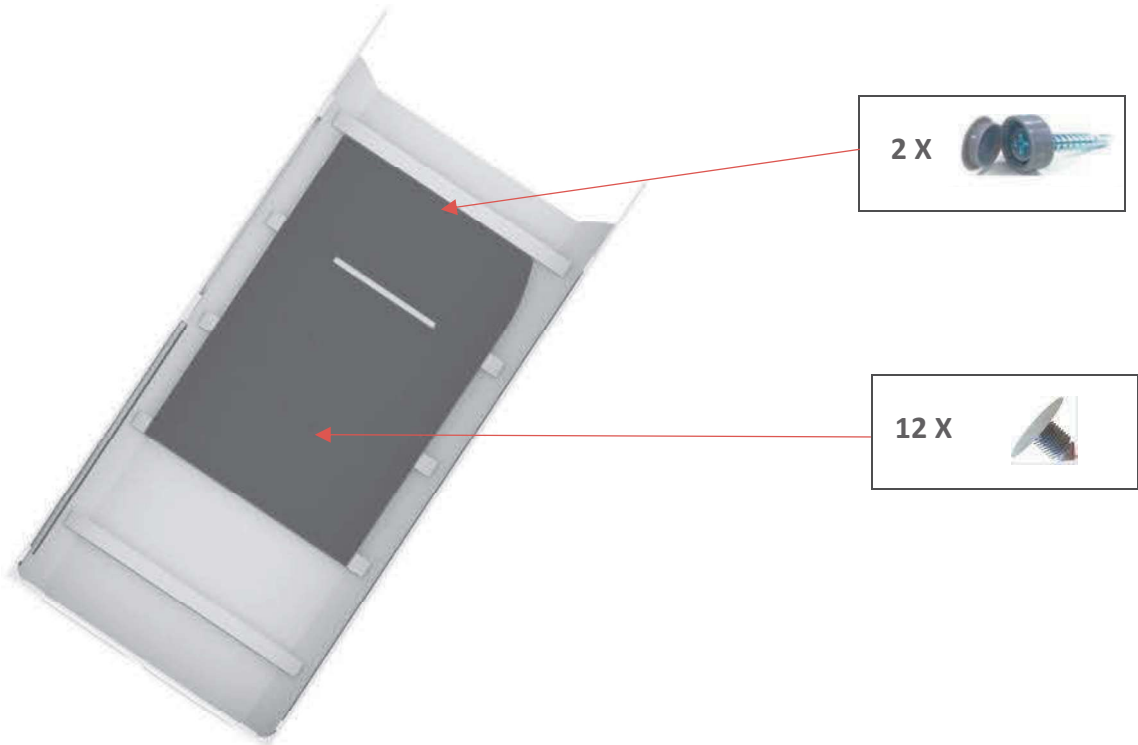


Figure 18

*"Positioning and Fixing of the Ceiling Panel A" This View is from Inside of the Van*

**Step 3:** Install the Ceiling Joiner strip at the edge of the Front Ceiling panel

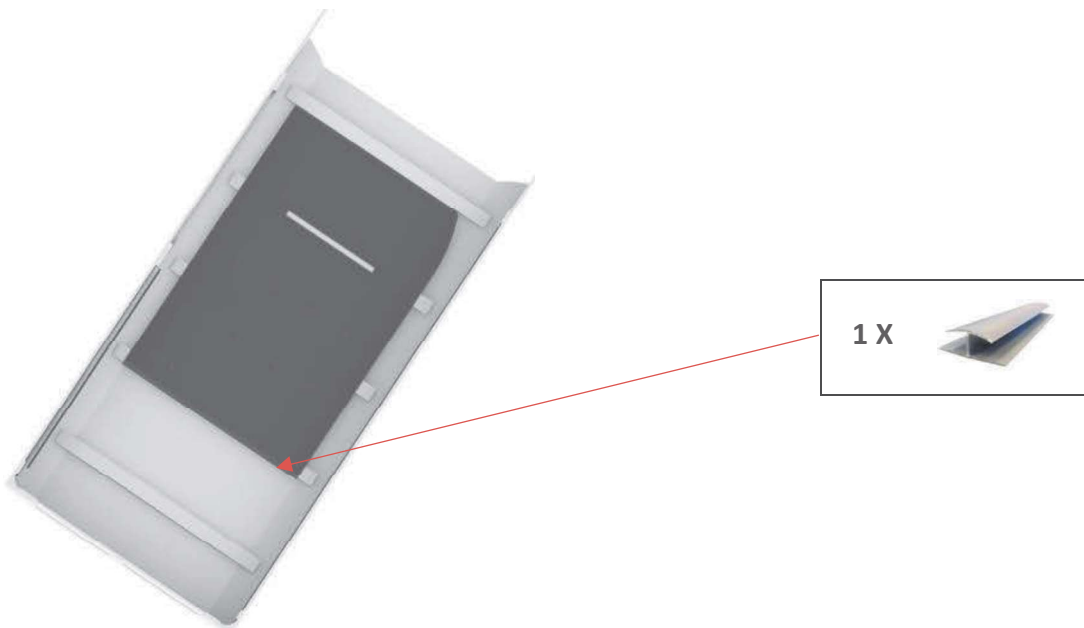


Figure 19

*"Positioning and Fixing of the Ceiling Joiner Strip" This View is from Inside of the Van*

**Step 4:** Install Ceiling Piece B, as shown below. Ceiling liner.

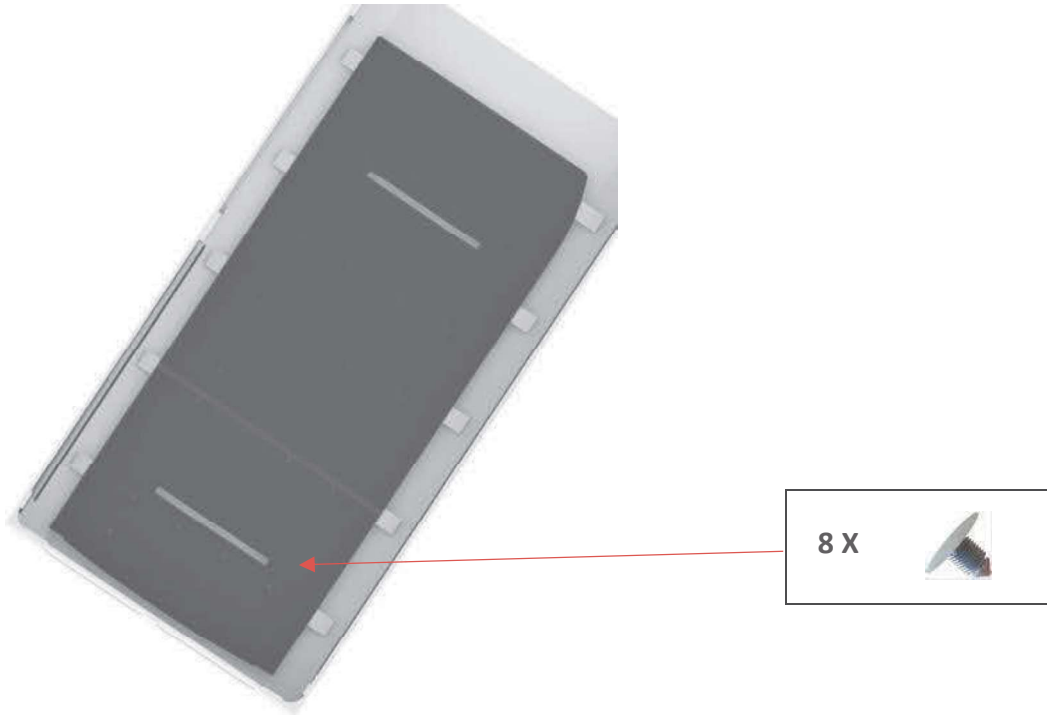


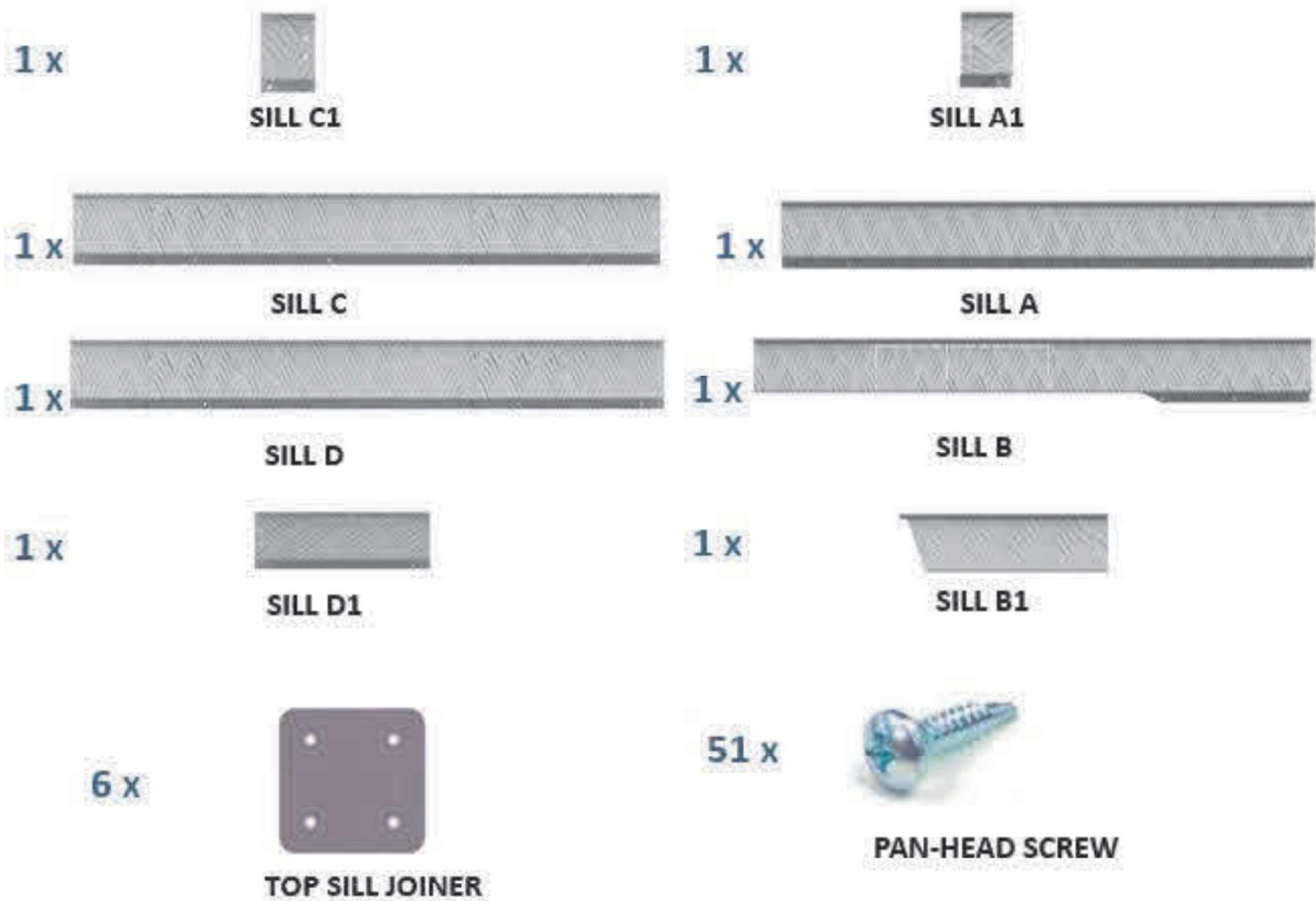
Figure 20

*"Positioning and Fixing of the Ceiling Panel B" This View is from Inside of the Van*

**Step 5:** This completes the installation of your Legend Ceiling Liner.

# Top Sills - 144" WB- Low Roof

## Parts and Hardware



# Assembly Instructions

**Assembly of the Top Sills is to be done outside of the Van before installing it in the Van.**

**Step 1:** Assemble Driver Side sill –C1, C, D, D1 as shown below.

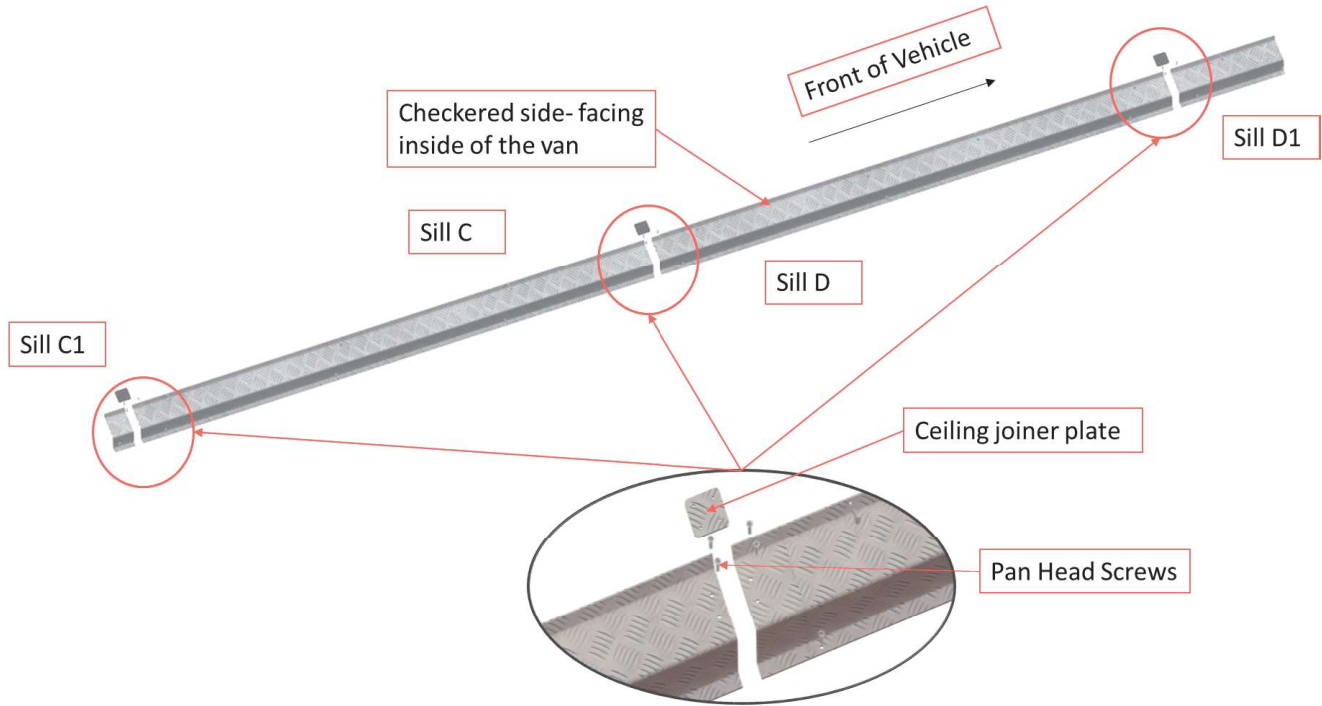


Figure 21

**Note:** 'Sill - D1' should not be installed when there are foam blocks by the B-Pillars (or, behind the driver and passenger seats).

**Step 2:** Fasten assembled sills in the Van.

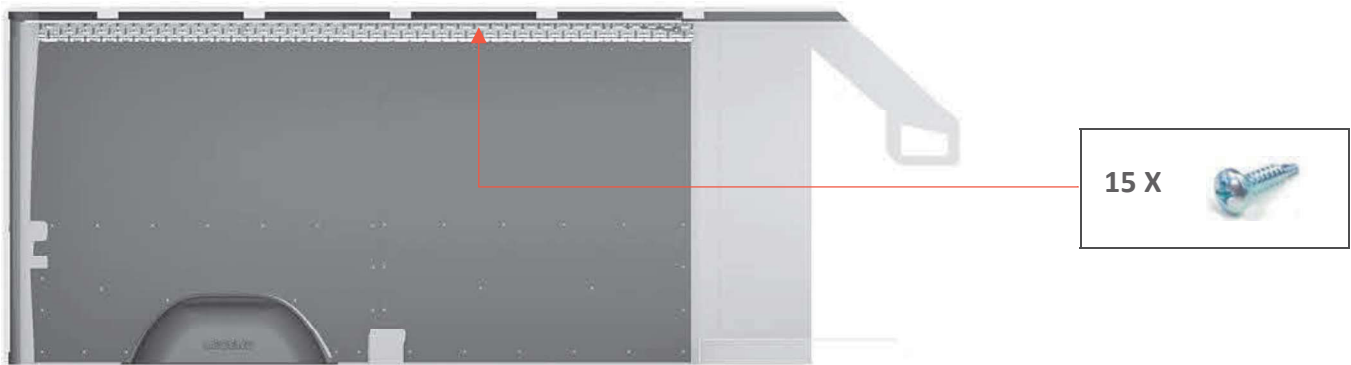


Figure 22  
"Driver side Top Sills installed"

**Step 3:** Assemble Passenger Side Sill – A1, A, B, B1 as shown below.

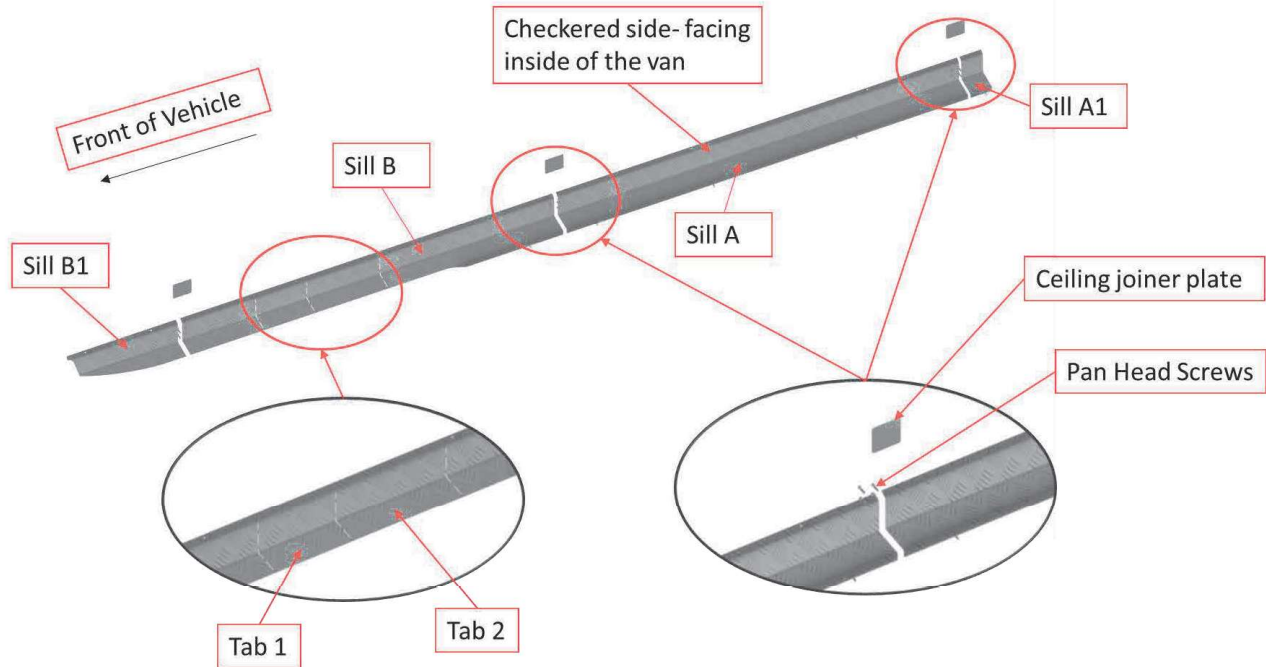


Figure 23

**Note:**

1. 'Sill - B1' should not be installed when there are foam blocks by the B-Pillars (or, behind the driver and passenger seats).
2. Sill B - Cut along tabs based on the presence of Rubber Block and/or Light present in the vehicle.  
 Tab 1 – For Light  
 Tab 2 - For Rubber Block

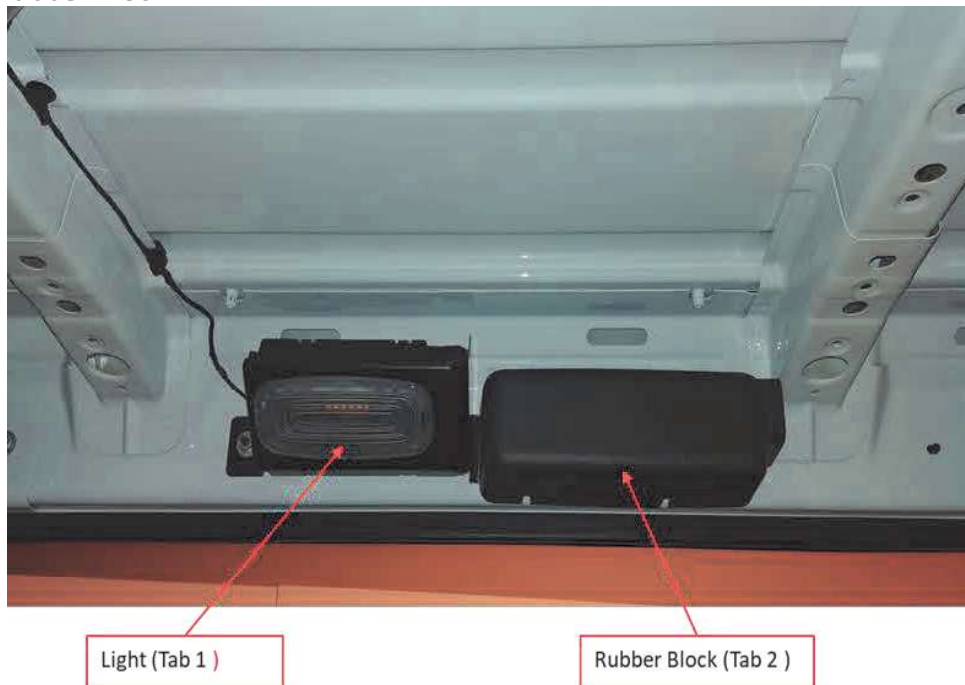
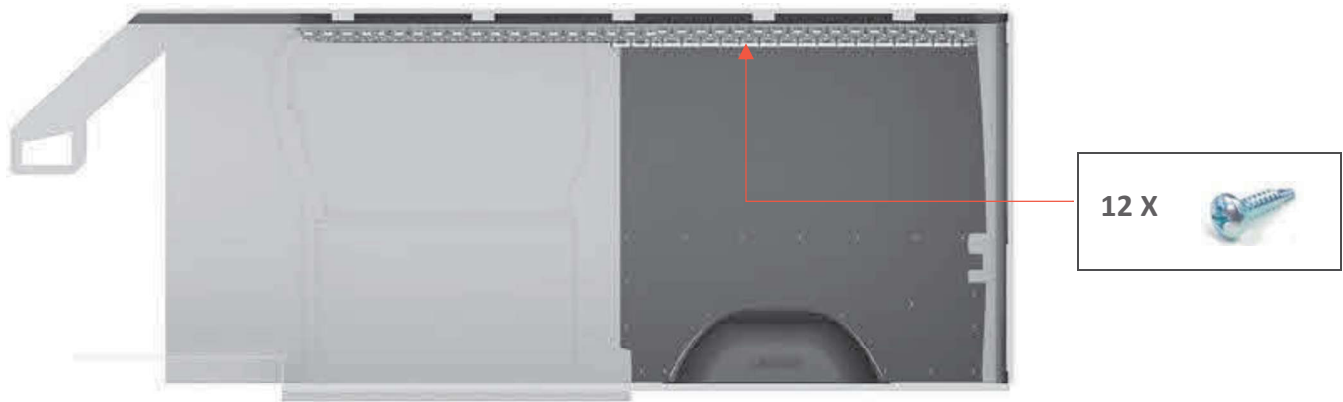


Figure 24

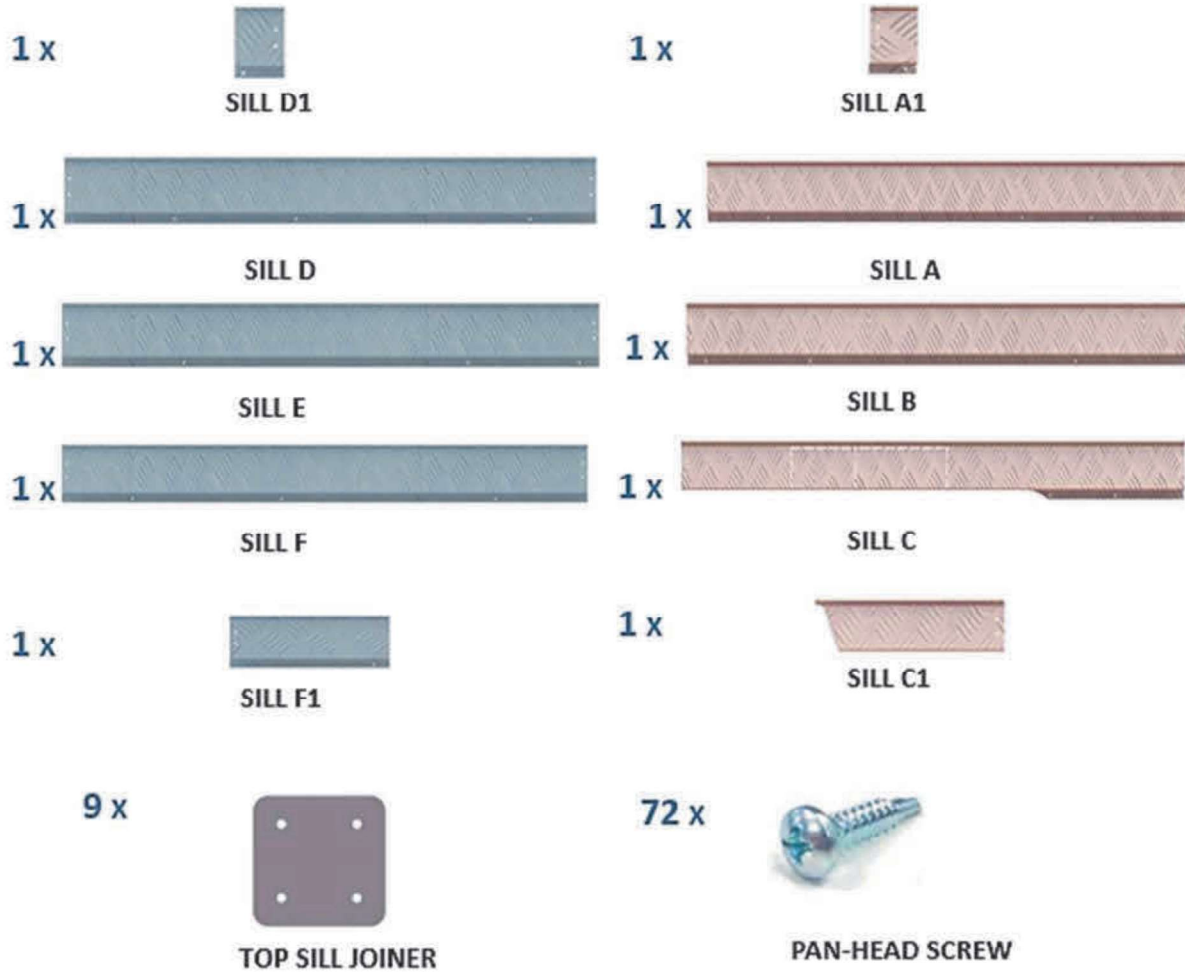
**Step 4:** Fasten assembled sills in the Van.



*Figure 25*  
*"Passenger side Top Sills installed"*

# Top Sills - 144" WB- High Roof

## Parts and Hardware



# Assembly Instructions

**Assembly of the Top Sills is to be done outside of the Van before installing it in the Van.**

**Step 1:** Assemble Driver Side sill – D1, D, E, F as shown below.

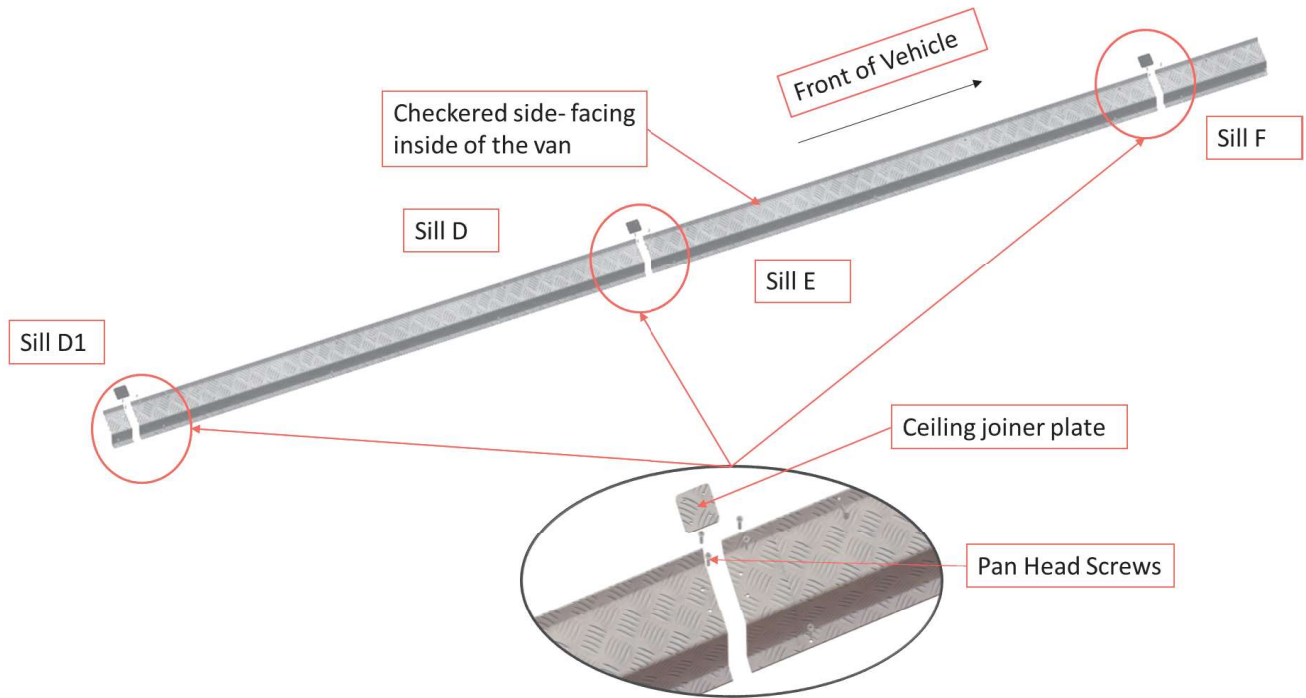


Figure 26

**Note:** 'Sill - F' should not be installed when there are foam blocks by the B-Pillars (or, behind the driver and passenger seats).

**Step 2:** Fasten assembled sills in the Van.

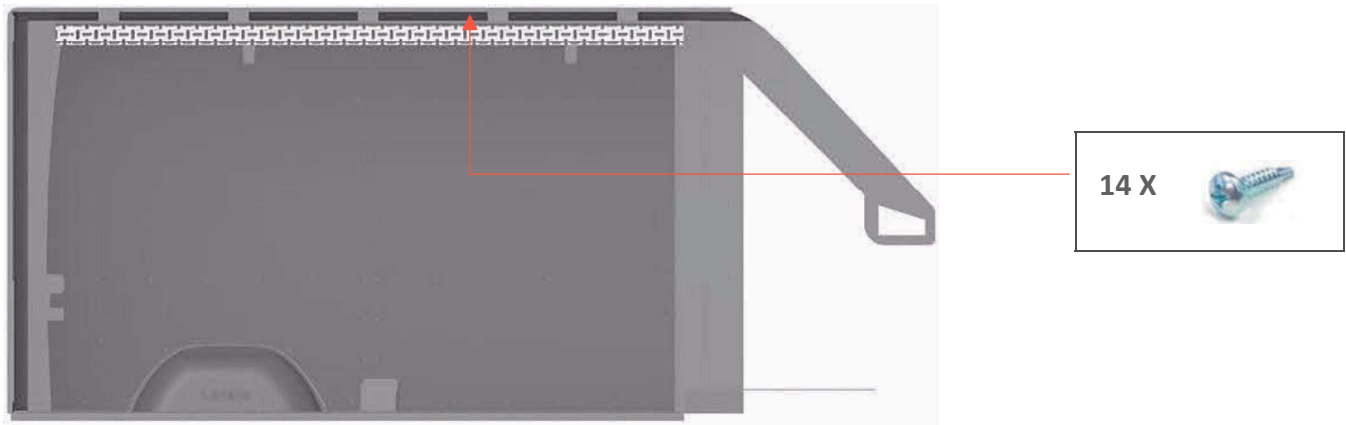


Figure 27  
"Driver side Top Sills installed"

**Step 3:** Assemble Passenger Side Sill – A1, A, B, C as shown below.

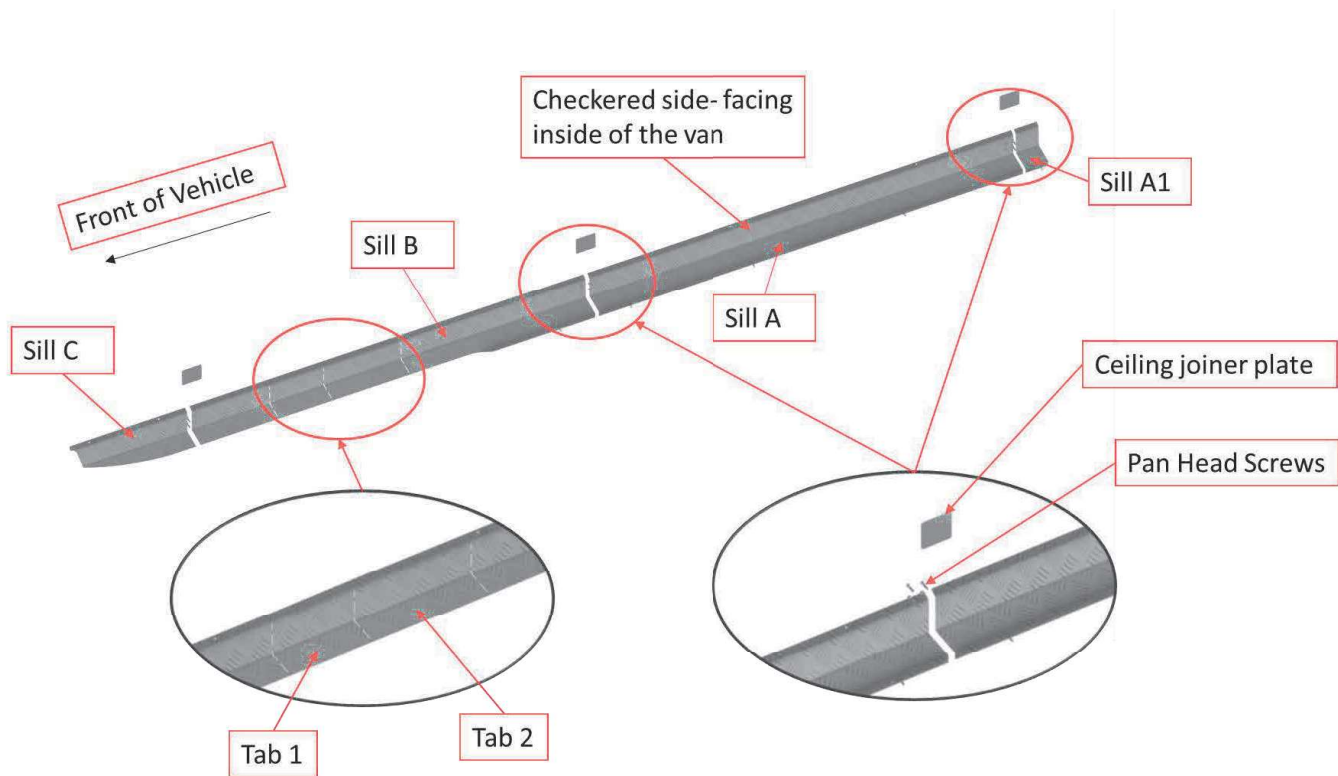


Figure 28

**Note:**

3. 'Sill - C' should not be installed when there are foam blocks by the B-Pillars (or, behind the driver and passenger seats).
4. Sill B - Cut along tabs based on the presence of Rubber Block and/or Light present in the vehicle.  
Tab 1 – For Light  
Tab 2 - For Rubber Block



Figure 29

**Step 4:** Fasten assembled sills in the Van.

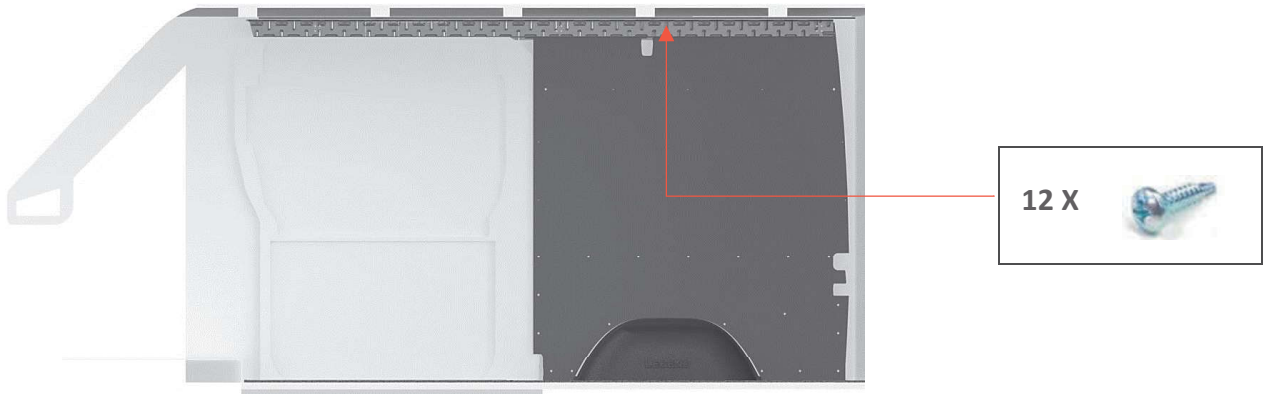
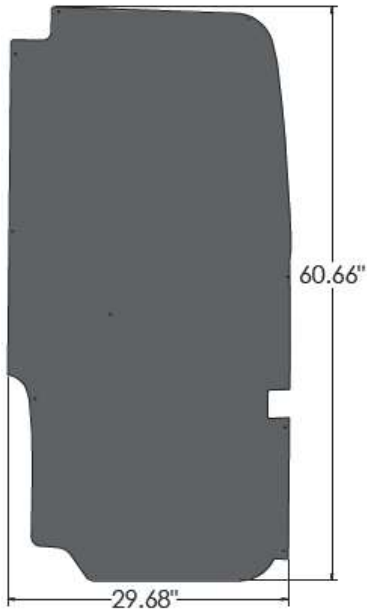


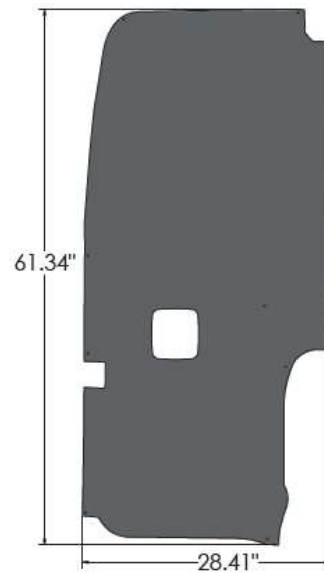
Figure 30  
"Passenger side Top Sills installed"

# Door Liners - 144" WB- Low Roof

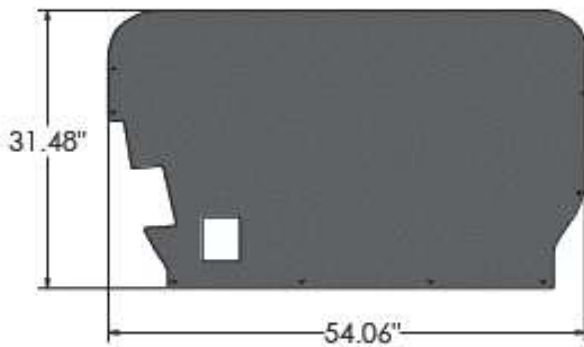
## Parts and Hardware



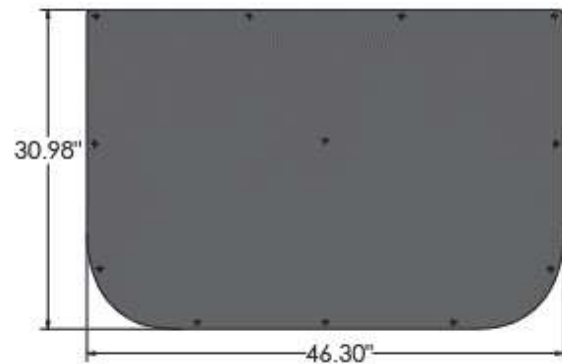
DRIVER SIDE REAR DOOR LINER(DRA)



PASSENGER SIDE REAR DOOR LINER(PRA)



PASSENGER SIDE SLIDING DOOR LINER (PSB)



PASSENGER SIDE SLIDING DOOR LINER (PSA)

27 x



SCREWCAP

27 x



SELF-DRILLING SCREW


12 x




PUSH-IN RIVETS

# Assembly Instructions

**Van Doors MUST be in close Position When Installing Door Liners.**

Hole Diameter ( $\phi$ ) = 0.40"= 

Hole Diameter ( $\phi$ ) = 0.20"= 

## Step 1: Rear Door Assembly.

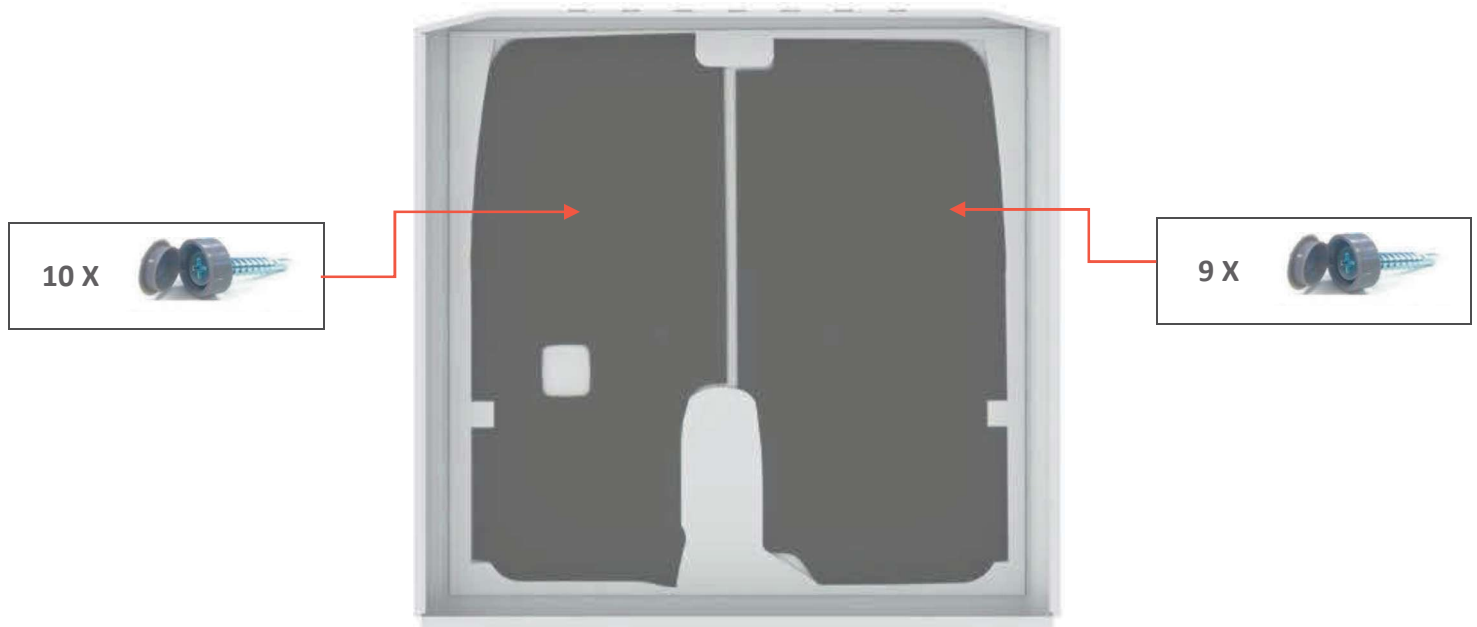


Figure 31  
"Rear Door Liners Installed"

## Step 2: Side Door Assembly.

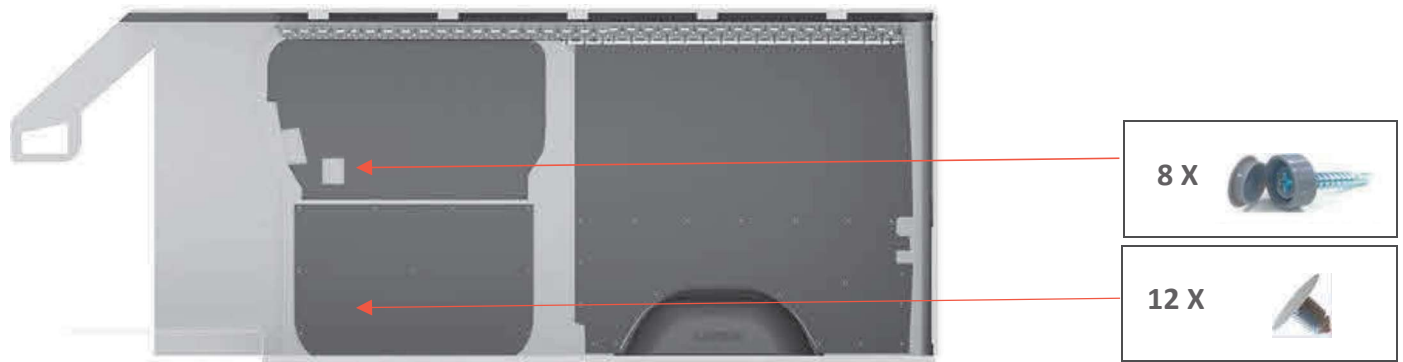
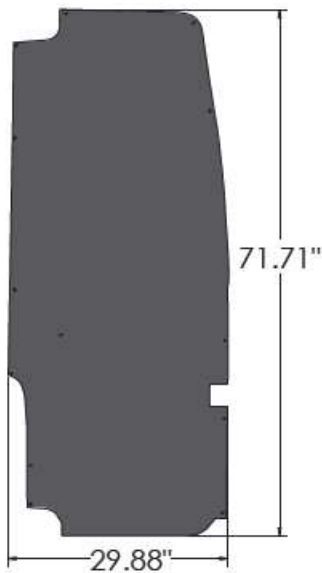


Figure 32  
"Passenger Side Sliding Door Liner Installed"

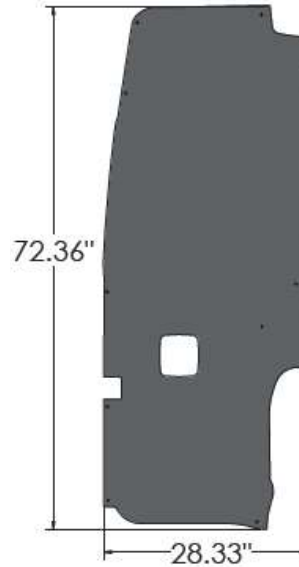
**Step 3:** Installation of your Legend Door Liners is now complete.

# Door Liners - 144" WB- High Roof

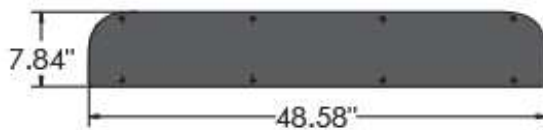
## Parts and Hardware



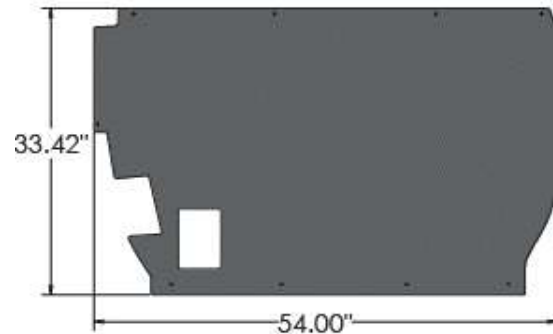
DRIVER SIDE REAR DOOR LINER(DRA)



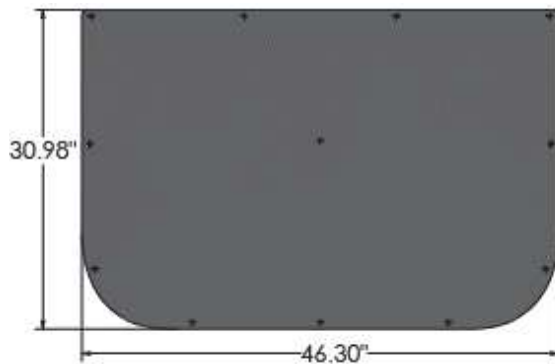
PASSENGER SIDE REAR DOOR LINER(PRA)



PASSENGER SIDE SLIDING DOOR LINER (PSC)



PASSENGER SIDE SLIDING DOOR LINER (PSB)



PASSENGER SIDE SLIDING DOOR LINER (PSA)

20 X



PUSH-IN RIVETS

33 X



SELF-DRILLING SCREW


33 X




SCREWCAP

# Assembly Instructions

**Van Doors MUST be in close Position When Installing Door Liners.**

Hole Diameter ( $\varnothing$ ) = 0.40" = 

Hole Diameter ( $\varnothing$ ) = 0.20" = 

## Step 1: Rear Door Assembly.

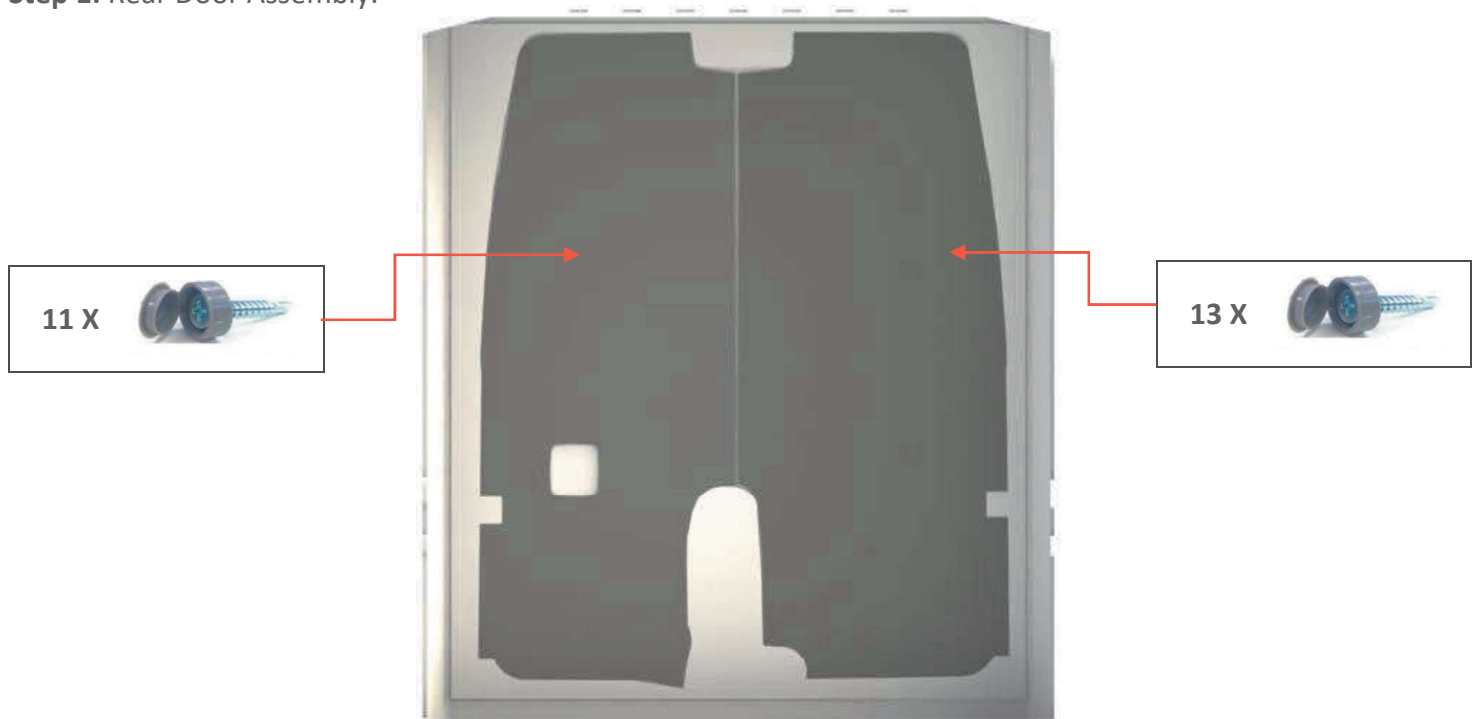


Figure 33  
"Rear Door Liners Installed"

## Step 2: Side Door Assembly.

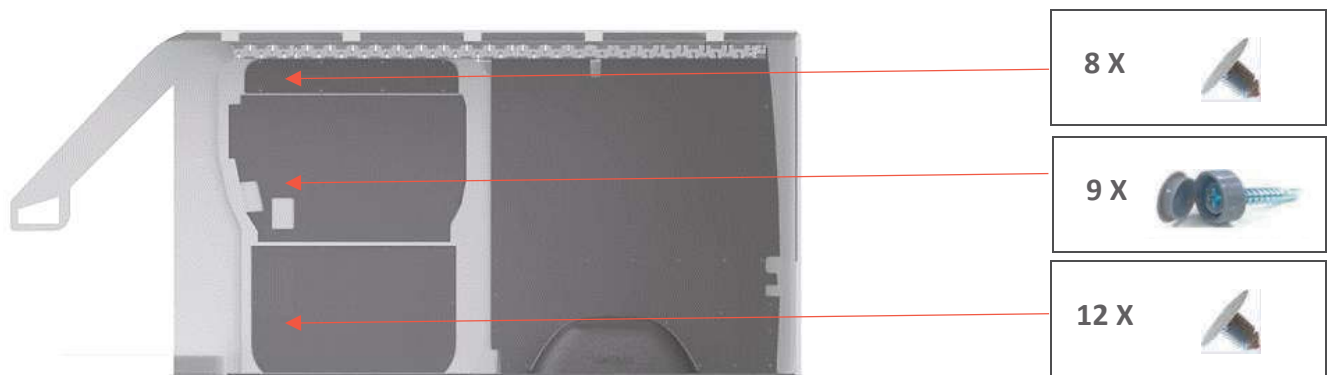


Figure 34  
"Passenger Side Sliding Door Liner Installed"

**Step 3:** Installation of your Legend Door Liners is now complete.